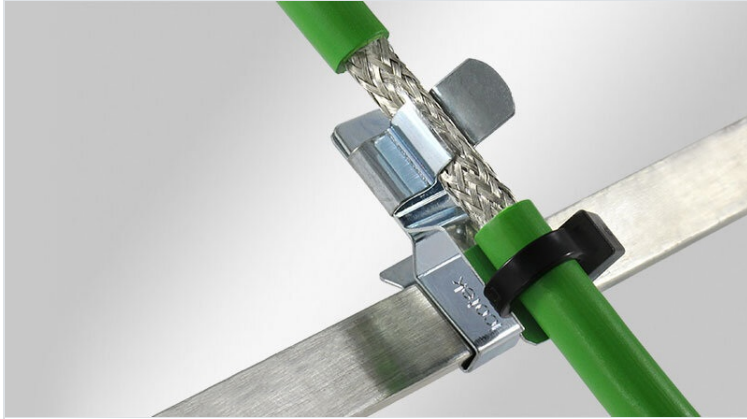


# EMC shield clamps for 10 × 3 mm bus bar, pluggable

with or without integrated strain relief



EMC shield clamps are used, where the shield of cables must be connected to the earth potential. They are easy to use and effective in earthing single cable shields.

When using types with integrated strain relief cables can be fixed via the cable jacket using cable ties. Thus strain relief in accordance with EN 62444 is achieved. We also offer EMC shield clamps with double strain relief function acc. to PROFINET installation guidelines.

Due to its special design the clamping ranges of the MSKL are very large while the dimensions are comparatively small. (Example: MSKL 3-12, assembled with a 12 mm cable shield: width 26.25 mm).

The very slim shape of the PFS|SCL is perfect for applications with limited space.

The shield clamps are mounted by snapping them onto a 10 × 3 mm bus bar.



## Specifications

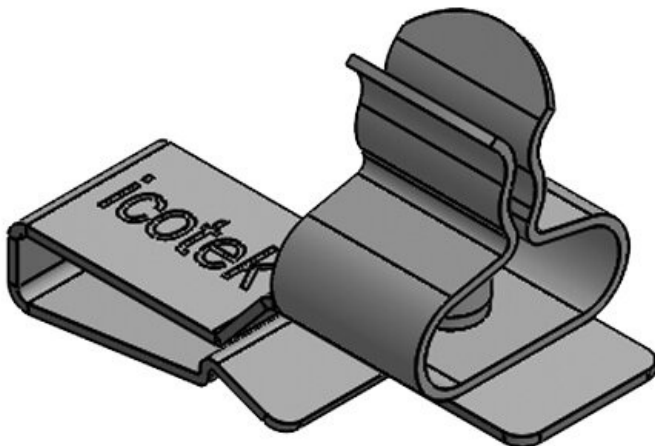
<b>Material</b>	Shield clamp: Spring steel, zinc plated Snap foot: Spring steel Shield bracket: Mild steel, galvanically zinc plated
<b>Properties</b>	vibration proof
<b>Mounting options</b>	Snap-in

## Advantages & benefits

- Partially with integrated strain relief
- Large contact area
- Shield contact and strain relief separated
- Quick assembly without tools
- The spring design requires no adjustments and will permanently maintain contact to the cable shield
- Designed for high density applications
- Shock and vibration resistant, maintenance free
- Integrated double strain relief function acc. to PROFINET installation guidelines

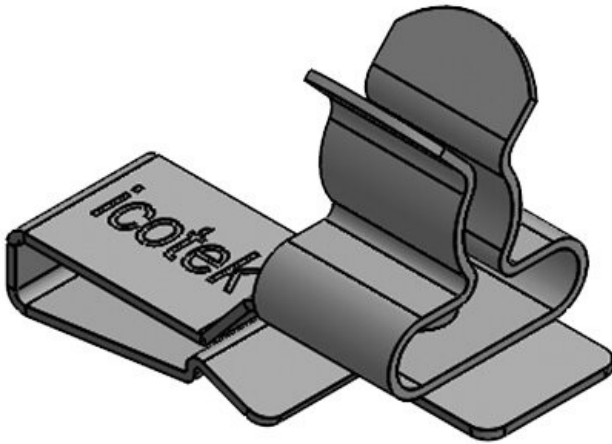
## Product types & sizes

PFS|SKL 1.5-3



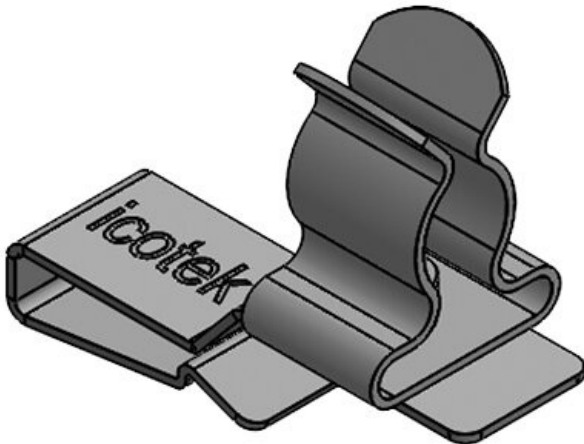
Part No.	<b>36786.1</b>	Length	<b>28,5 mm</b>
EAN	<b>4251269304</b>	Width	<b>12 mm</b>
	<b>309</b>	Height	<b>20,4 mm</b>
Package quantity	<b>10</b>	Mounting height	<b>12,9 mm</b>
No. of shield clamps	<b>1</b>		
For max. no. of cables	<b>1</b>		
Min. shield diam.	<b>1,5 mm</b>		
Max. shield diam.	<b>3 mm</b>		

PFS|SKL 3-6



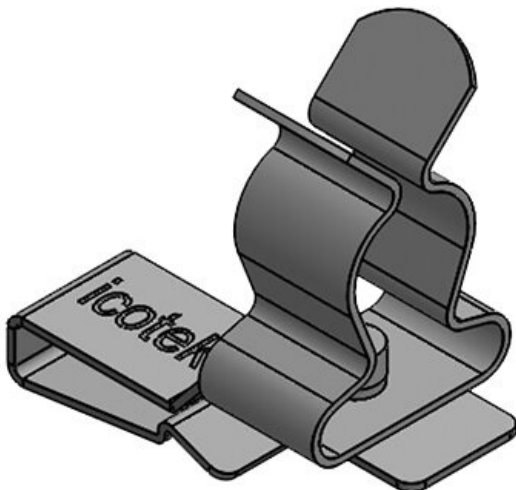
Part No.	<b>36786.2</b>	Length	<b>28,5 mm</b>
EAN	<b>4251269304</b>	Width	<b>12 mm</b>
	<b>316</b>	Height	<b>21 mm</b>
Package quantity	<b>10</b>	Mounting height	<b>13,5 mm</b>
No. of shield clamps	<b>1</b>		
For max. no. of cables	<b>1</b>		
Min. shield diam.	<b>3 mm</b>		
Max. shield diam.	<b>6 mm</b>		

PFS|SKL 6-8



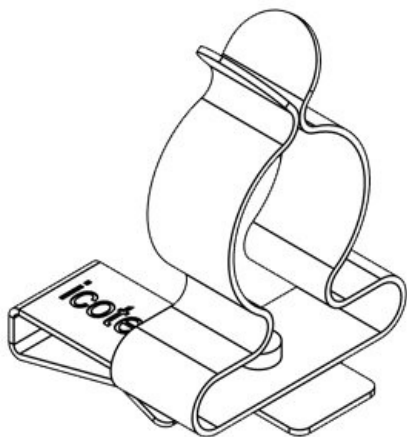
Part No.	<b>36786.3</b>	Length	<b>28,5 mm</b>
EAN	<b>4251269304</b>	Width	<b>12 mm</b>
	<b>323</b>	Height	<b>22,5 mm</b>
Package quantity	<b>10</b>	Mounting height	<b>15 mm</b>
No. of shield clamps	<b>1</b>		
For max. no. of cables	<b>1</b>		
Min. shield diam.	<b>6 mm</b>		
Max. shield diam.	<b>8 mm</b>		

PFS|SKL 8-11



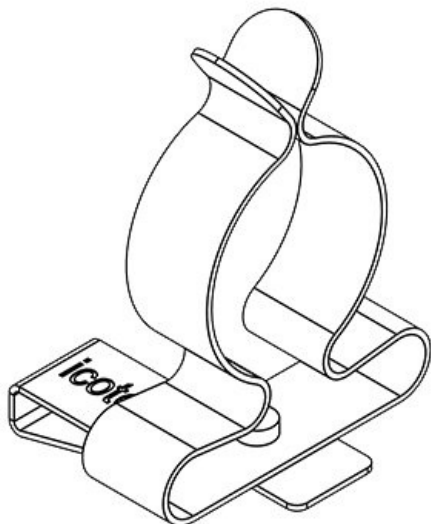
Part No.	<b>36786.4</b>	Length	<b>28,5 mm</b>
EAN	<b>4251269304</b>	Width	<b>12 mm</b>
	<b>330</b>	Height	<b>27,5 mm</b>
Package quantity	<b>10</b>	Mounting height	<b>20 mm</b>
No. of shield clamps	<b>1</b>		
For max. no. of cables	<b>1</b>		
Min. shield diam.	<b>8 mm</b>		
Max. shield diam.	<b>11 mm</b>		

PFS|SKL 11-17



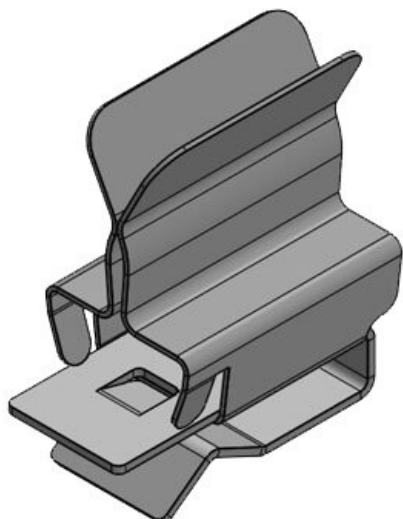
Part No.	<b>36786.5</b>	Length	<b>28,5 mm</b>
EAN	<b>4251269304</b>	Width	<b>21 mm</b>
	<b>347</b>	Height	<b>34,2 mm</b>
Package quantity	<b>10</b>	Mounting height	<b>26,7 mm</b>
No. of shield clamps	<b>1</b>		
For max. no. of cables	<b>1</b>		
Min. shield diam.	<b>11 mm</b>		
Max. shield diam.	<b>17 mm</b>		

PFS|SKL 17-22



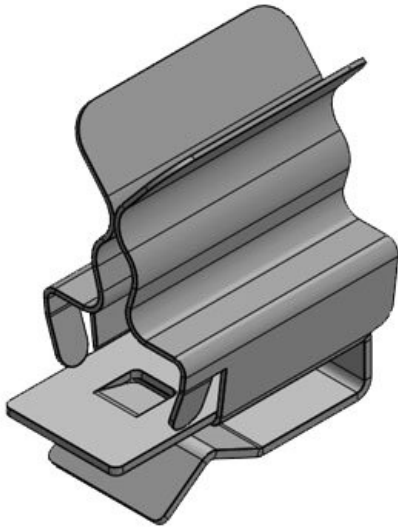
Part No.	<b>36786.6</b>	Length	<b>28,5 mm</b>
EAN	<b>4251269304</b>	Width	<b>26 mm</b>
	<b>354</b>	Height	<b>41,7 mm</b>
Package quantity	<b>10</b>	Mounting height	<b>34,2 mm</b>
No. of shield clamps	<b>1</b>		
For max. no. of cables	<b>1</b>		
Min. shield diam.	<b>17 mm</b>		
Max. shield diam.	<b>22 mm</b>		

PFS|SCL 1.5-3



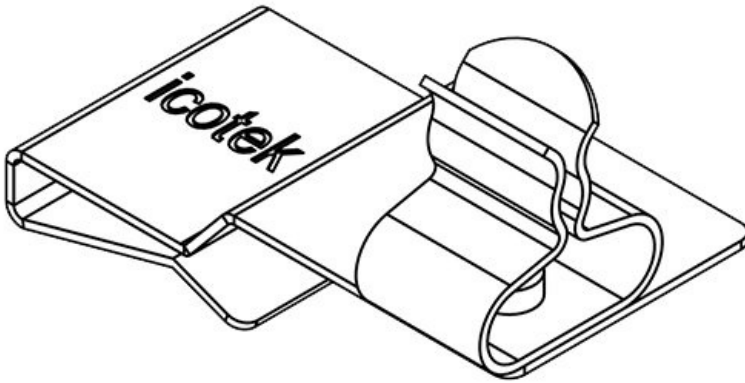
Part No.	<b>36611</b>	Length	<b>18,9 mm</b>
EAN	<b>4251269319</b>	Width	<b>10 mm</b>
	<b>037</b>	Height	<b>21,2 mm</b>
Package quantity	<b>10</b>		
No. of shield clamps	<b>1</b>		
For max. no. of cables	<b>1</b>		
Min. shield diam.	<b>1,5 mm</b>		
Max. shield diam.	<b>3 mm</b>		

PFS|SCL 3-6



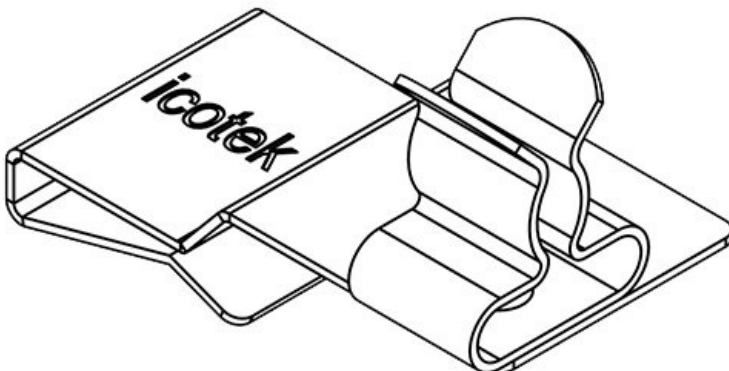
Part No.	<b>36612</b>	Length	<b>18,9 mm</b>
EAN	<b>4251269319</b>	Width	<b>10 mm</b>
	<b>044</b>	Height	<b>21,2 mm</b>
Package quantity	<b>10</b>		
No. of shield clamps	<b>1</b>		
For max. no. of cables	<b>1</b>		
Min. shield diam.	<b>3 mm</b>		
Max. shield diam.	<b>6 mm</b>		

PFS2|SKL 01



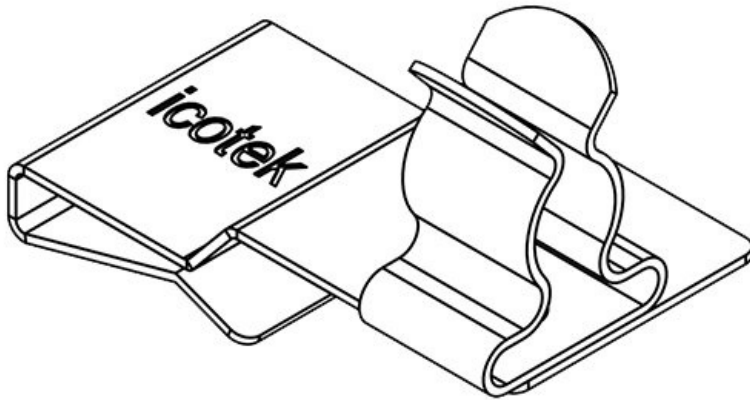
Part No.	<b>36788.01</b>	Length	<b>32,5 mm</b>
EAN	<b>4251269304</b>	Width	<b>18 mm</b>
	<b>408</b>	Height	<b>20,4 mm</b>
Package quantity	<b>10</b>	Mounting height	<b>12,9 mm</b>
No. of shield clamps	<b>1</b>		
For max. no. of cables	<b>1</b>		
Min. shield diam. pos. 2	<b>1,5 mm</b>		
Max. shield diam. pos. 2	<b>3 mm</b>		

PFS2|SKL 02



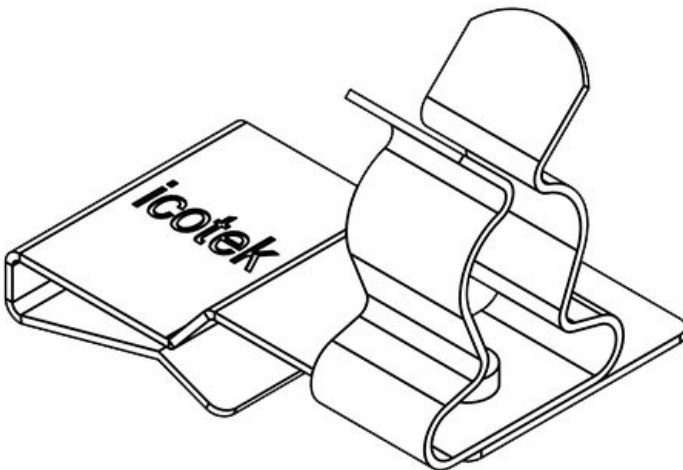
Part No.	<b>36788.02</b>	Length	<b>32,5 mm</b>
EAN	<b>4251269304</b>	Width	<b>18 mm</b>
	<b>415</b>	Height	<b>21 mm</b>
Package quantity	<b>10</b>	Mounting height	<b>13,5 mm</b>
No. of shield clamps	<b>1</b>		
For max. no. of cables	<b>1</b>		
Min. shield diam. pos. 2	<b>3 mm</b>		
Max. shield diam. pos. 2	<b>6 mm</b>		

PFS2|SKL 03



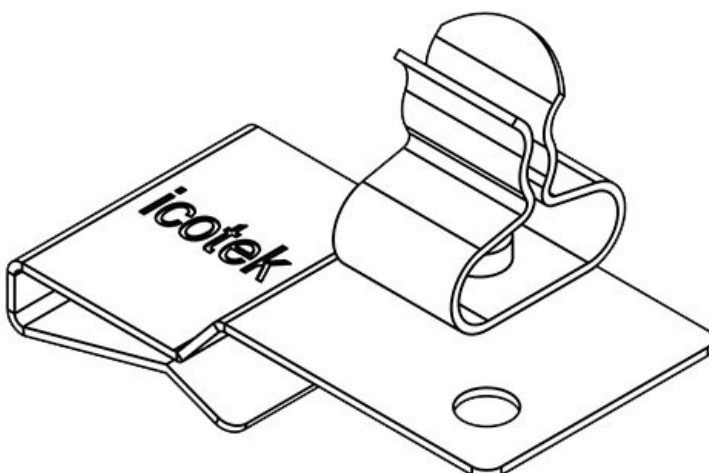
Part No.	<b>36788.03</b>	Length	<b>32,5 mm</b>
EAN	<b>4251269304</b>	Width	<b>18 mm</b>
	<b>422</b>	Height	<b>22,5 mm</b>
Package quantity	<b>10</b>	Mounting height	<b>15 mm</b>
No. of shield clamps	<b>1</b>		
For max. no. of cables	<b>1</b>		
Min. shield diam. pos. 2	<b>6 mm</b>		
Max. shield diam. pos. 2	<b>8 mm</b>		

PFS2|SKL 04



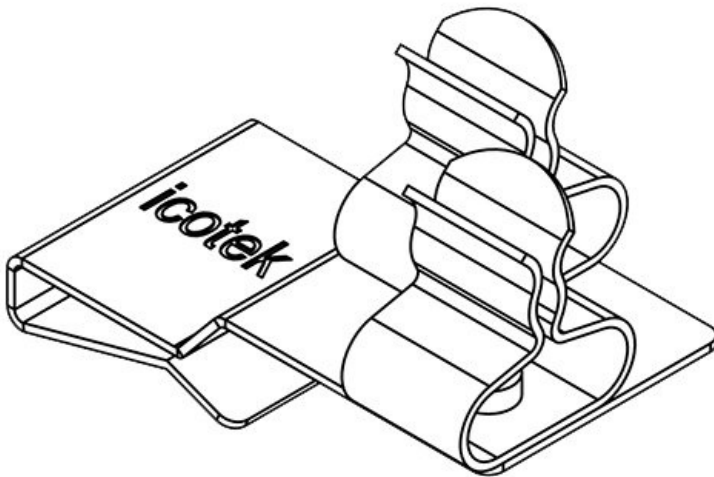
Part No.	<b>36788.04</b>	Length	<b>32,5 mm</b>
EAN	<b>4251269304</b>	Width	<b>18 mm</b>
	<b>439</b>	Height	<b>27,5 mm</b>
Package quantity	<b>10</b>	Mounting height	<b>20 mm</b>
No. of shield clamps	<b>1</b>		
For max. no. of cables	<b>1</b>		
Min. shield diam. pos. 2	<b>8 mm</b>		
Max. shield diam. pos. 2	<b>11 mm</b>		

PFS2|SKL 10



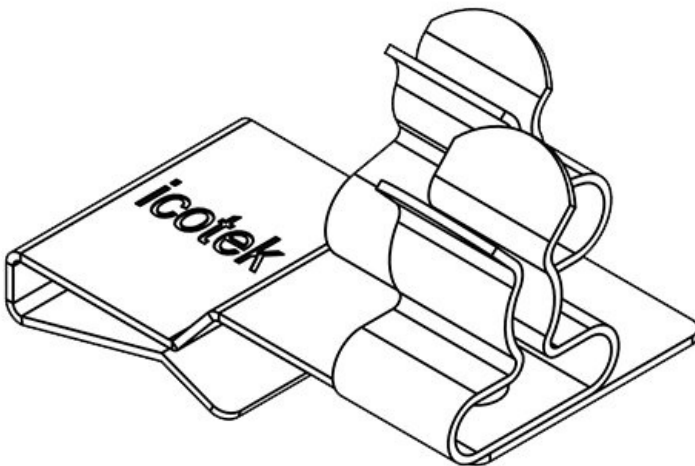
Part No.	<b>36788.10</b>	Length	<b>32,5 mm</b>
EAN	<b>4251269304</b>	Width	<b>18 mm</b>
	<b>446</b>	Height	<b>20,4 mm</b>
Package quantity	<b>10</b>	Mounting height	<b>12,9 mm</b>
No. of shield clamps	<b>1</b>		
For max. no. of cables	<b>1</b>		
Min. shield diam. pos. 1	<b>1,5 mm</b>		
Max. shield diam. pos. 1	<b>3 mm</b>		

## PFS2|SKL 11



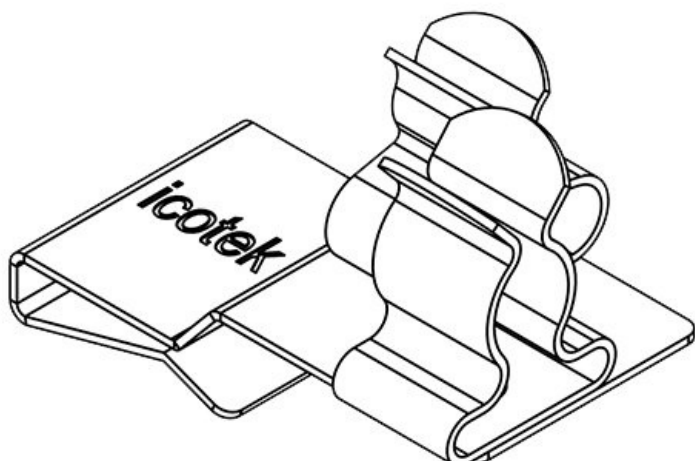
Part No.	<b>36788.11</b>	Min. shield diam. pos. 2	<b>1,5 mm</b>
EAN	<b>4251269304</b>	Max. shield diam. pos. 2	<b>3 mm</b>
Package quantity	<b>10</b>	Length	<b>32,5 mm</b>
No. of shield clamps	<b>2</b>	Width	<b>20 mm</b>
For max. no. of cables		Height	<b>20,4 mm</b>
Min. shield diam. pos. 1	<b>1,5 mm</b>	Mounting height	<b>12,9 mm</b>
Max. shield diam. pos. 1	<b>3 mm</b>		

## PFS2|SKL 12



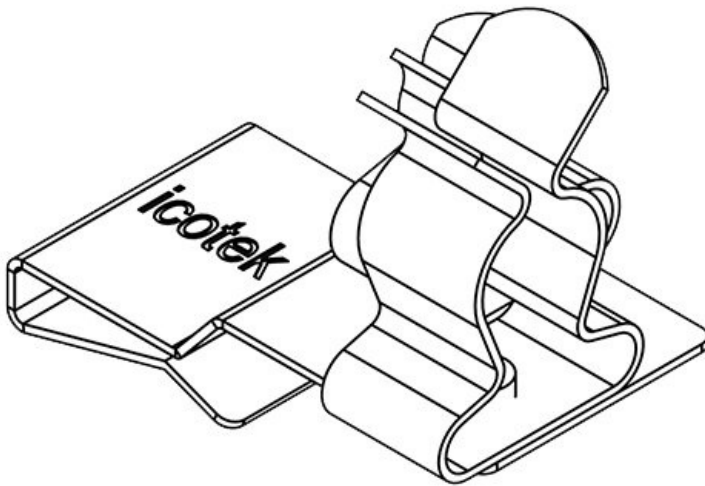
Part No.	<b>36788.12</b>	Min. shield diam. pos. 2	<b>3 mm</b>
EAN	<b>4251269304</b>	Max. shield diam. pos. 2	<b>6 mm</b>
Package quantity	<b>10</b>	Length	<b>32,5 mm</b>
No. of shield clamps	<b>2</b>	Width	<b>20 mm</b>
For max. no. of cables		Height	<b>21 mm</b>
Min. shield diam. pos. 1	<b>1,5 mm</b>	Mounting height	<b>13,5 mm</b>
Max. shield diam. pos. 1	<b>3 mm</b>		

## PFS2|SKL 13



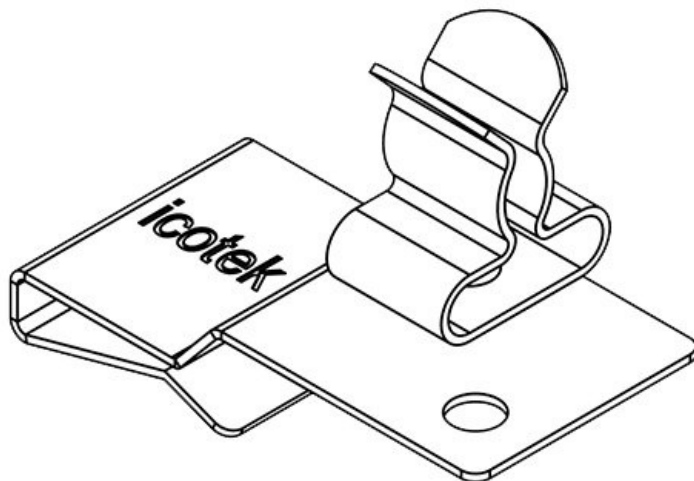
Part No.	<b>36788.13</b>	Min. shield diam. pos. 2	<b>6 mm</b>
EAN	<b>4251269304</b>	Max. shield diam. pos. 2	<b>8 mm</b>
Package quantity	<b>10</b>	Length	<b>32,5 mm</b>
No. of shield clamps	<b>2</b>	Width	<b>20 mm</b>
For max. no. of cables		Height	<b>22,5 mm</b>
Min. shield diam. pos. 1	<b>1,5 mm</b>	Mounting height	<b>15 mm</b>
Max. shield diam. pos. 1	<b>3 mm</b>		

PFS2|SKL 14



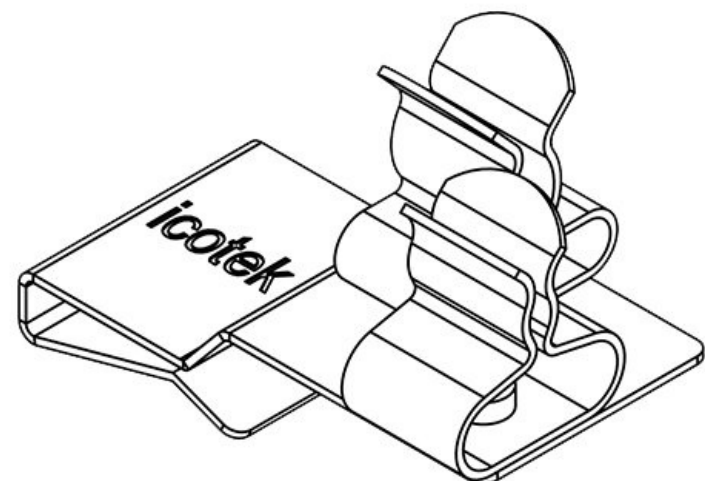
Part No.	<b>36788.14</b>	Min. shield diam. pos. 2	<b>8 mm</b>
EAN	<b>4251269304</b>	Max. shield diam. pos. 2	<b>11 mm</b>
Package quantity	<b>10</b>	Length	<b>32,5 mm</b>
No. of shield clamps	<b>2</b>	Width	<b>20 mm</b>
For max. no. of cables		Height	<b>27,5 mm</b>
Min. shield diam. pos. 1	<b>1,5 mm</b>	Mounting height	<b>20 mm</b>
Max. shield diam. pos. 1	<b>3 mm</b>		

PFS2|SKL 20



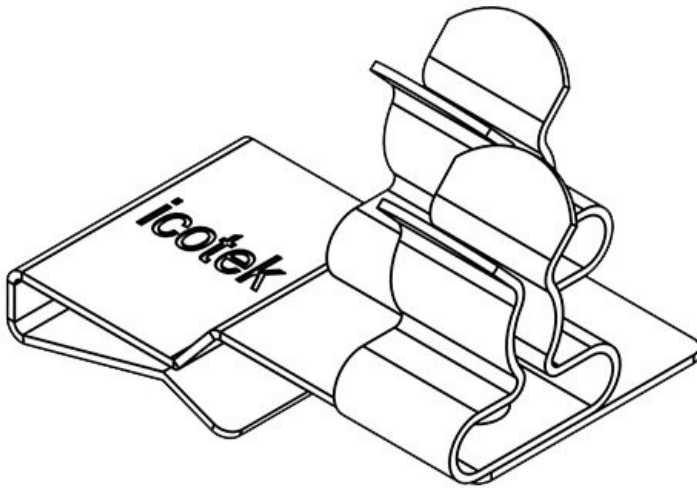
Part No.	<b>36788.20</b>	Length	<b>32,5 mm</b>
EAN	<b>4251269304</b>	Width	<b>18 mm</b>
Package quantity	<b>10</b>	Height	<b>21 mm</b>
No. of shield clamps	<b>1</b>	Mounting height	<b>13,5 mm</b>
For max. no. of cables			
Min. shield diam. pos. 1	<b>3 mm</b>		
Max. shield diam. pos. 1	<b>6 mm</b>		

PFS2|SKL 21



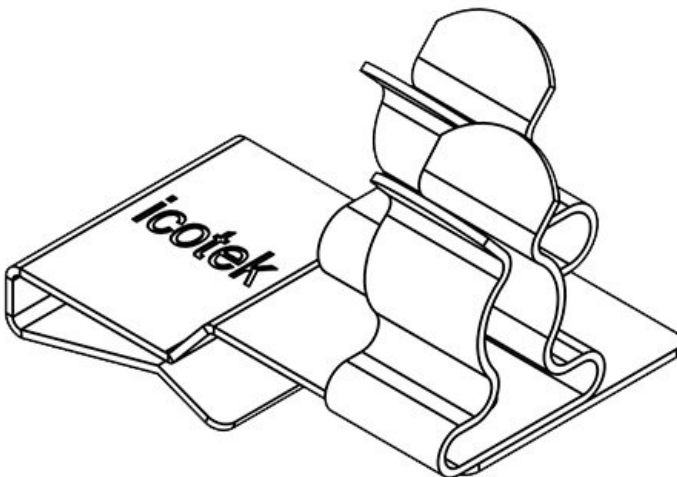
Part No.	<b>36788.21</b>	Min. shield diam. pos. 2	<b>1,5 mm</b>
EAN	<b>4251269304</b>	Max. shield diam. pos. 2	<b>3 mm</b>
Package quantity	<b>10</b>	Length	<b>32,5 mm</b>
No. of shield clamps	<b>2</b>	Width	<b>20 mm</b>
For max. no. of cables		Height	<b>21 mm</b>
Min. shield diam. pos. 1	<b>3 mm</b>	Mounting height	<b>13,5 mm</b>
Max. shield diam. pos. 1	<b>6 mm</b>		

PFS2|SKL 22



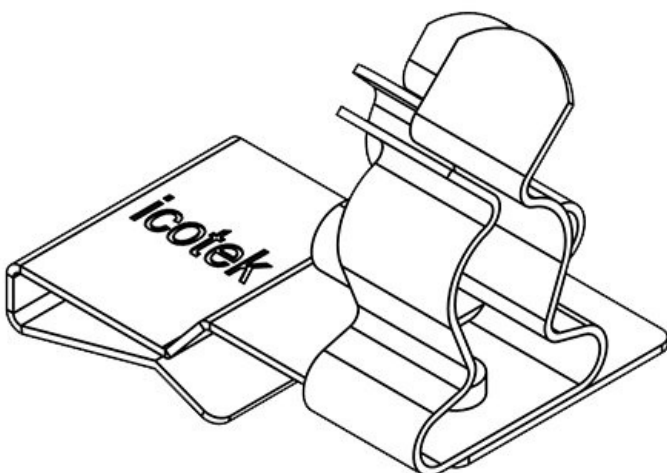
Part No.	<b>36788.22</b>	Min. shield diam. pos. 2	<b>3 mm</b>
EAN	<b>4251269304</b>	Max. shield diam. pos. 2	<b>6 mm</b>
Package quantity	<b>10</b>	Length	<b>32,5 mm</b>
No. of shield clamps	<b>2</b>	Width	<b>20 mm</b>
For max. no. of cables		Height	<b>21 mm</b>
Min. shield diam. pos. 1	<b>3 mm</b>	Mounting height	<b>13,5 mm</b>
Max. shield diam. pos. 1	<b>6 mm</b>		

PFS2|SKL 23



Part No.	<b>36788.23</b>	Min. shield diam. pos. 2	<b>6 mm</b>
EAN	<b>4251269304</b>	Max. shield diam. pos. 2	<b>8 mm</b>
Package quantity	<b>10</b>	Length	<b>32,5 mm</b>
No. of shield clamps	<b>2</b>	Width	<b>20 mm</b>
For max. no. of cables		Height	<b>22,5 mm</b>
Min. shield diam. pos. 1	<b>3 mm</b>	Mounting height	<b>15 mm</b>
Max. shield diam. pos. 1	<b>6 mm</b>		

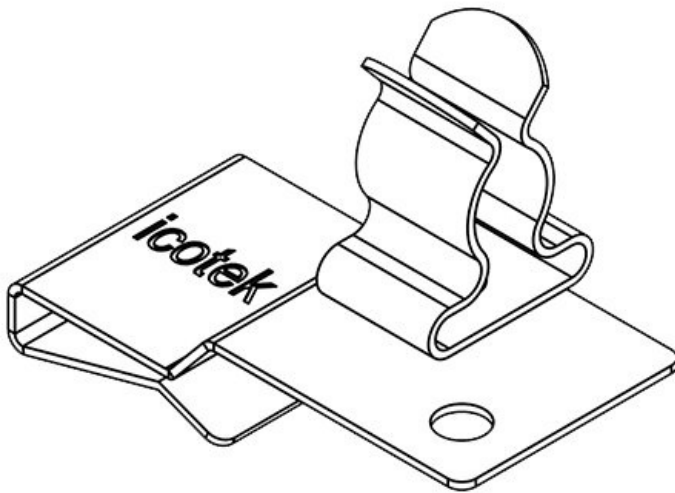
PFS2|SKL 24



Part No.	<b>36788.24</b>	Min. shield diam. pos. 2	<b>8 mm</b>
EAN	<b>4251269304</b>	Max. shield diam. pos. 2	<b>11 mm</b>
Package quantity	<b>10</b>	Length	<b>32,5 mm</b>
No. of shield clamps	<b>2</b>	Width	<b>20 mm</b>
For max. no. of cables		Height	<b>27,5 mm</b>
Min. shield diam. pos. 1	<b>3 mm</b>	Mounting height	<b>20,5 mm</b>
Max. shield diam. pos. 1	<b>6 mm</b>		

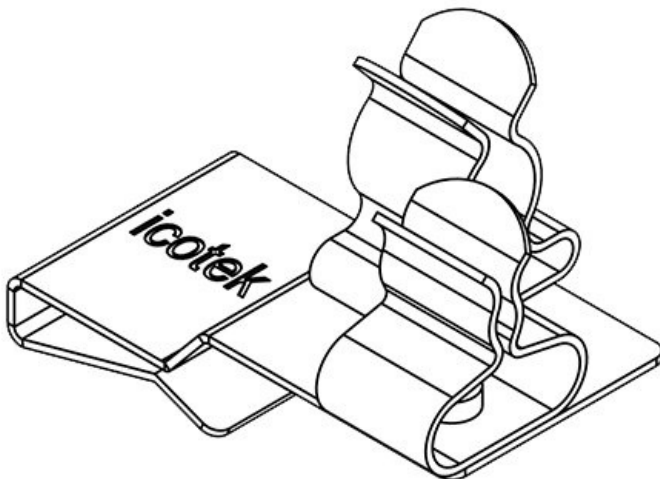


PFS2|SKL 30



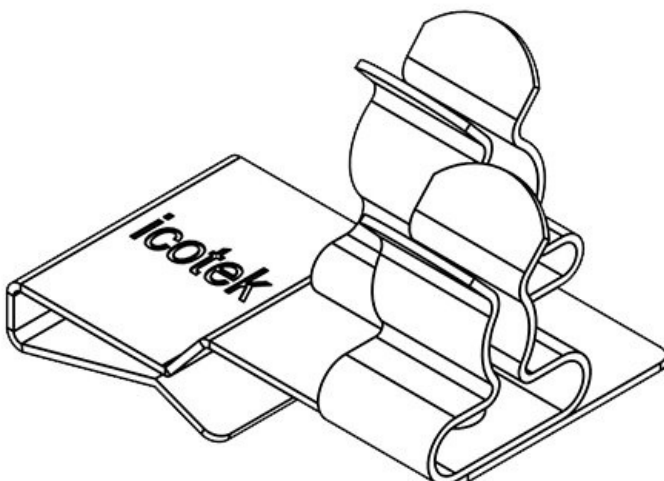
Part No.	<b>36788.30</b>	Length	<b>32,5 mm</b>
EAN	<b>4251269304</b>	Width	<b>18 mm</b>
	<b>545</b>	Height	<b>22,5 mm</b>
Package quantity	<b>10</b>	Mounting height	<b>15 mm</b>
No. of shield clamps	<b>1</b>		
For max. no. of cables			
Min. shield diam. pos. 1	<b>6 mm</b>		
Max. shield diam. pos. 1	<b>8 mm</b>		

PFS2|SKL 31



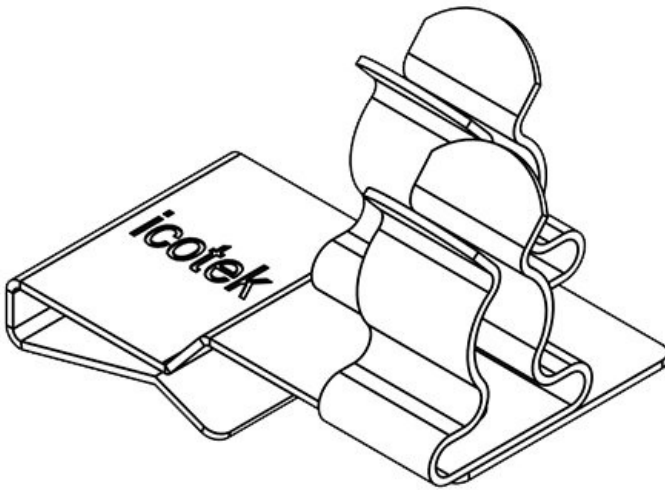
Part No.	<b>36788.31</b>	Min. shield diam. pos. 2	<b>1,5 mm</b>
EAN	<b>4251269304</b>	Max. shield diam. pos. 2	<b>3 mm</b>
	<b>552</b>	Length	<b>32,5 mm</b>
Package quantity	<b>10</b>	Width	<b>20 mm</b>
No. of shield clamps	<b>2</b>	Height	<b>22,5 mm</b>
For max. no. of cables	<b>2</b>	Mounting height	<b>15 mm</b>
Min. shield diam. pos. 1	<b>6 mm</b>		
Max. shield diam. pos. 1	<b>8 mm</b>		

PFS2|SKL 32



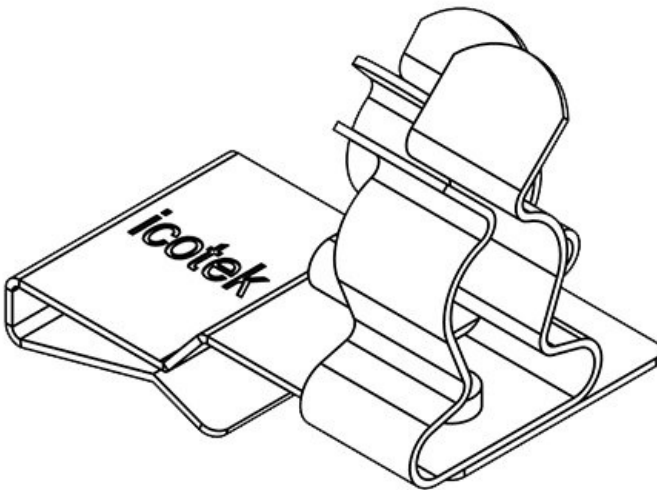
Part No.	<b>36788.32</b>	Min. shield diam. pos. 2	<b>3 mm</b>
EAN	<b>4251269304</b>	Max. shield diam. pos. 2	<b>6 mm</b>
	<b>569</b>	Length	<b>32,5 mm</b>
Package quantity	<b>10</b>	Width	<b>20 mm</b>
No. of shield clamps	<b>2</b>	Height	<b>22,5 mm</b>
For max. no. of cables	<b>2</b>	Mounting height	<b>15 mm</b>
Min. shield diam. pos. 1	<b>6 mm</b>		
Max. shield diam. pos. 1	<b>8 mm</b>		

PFS2|SKL 33



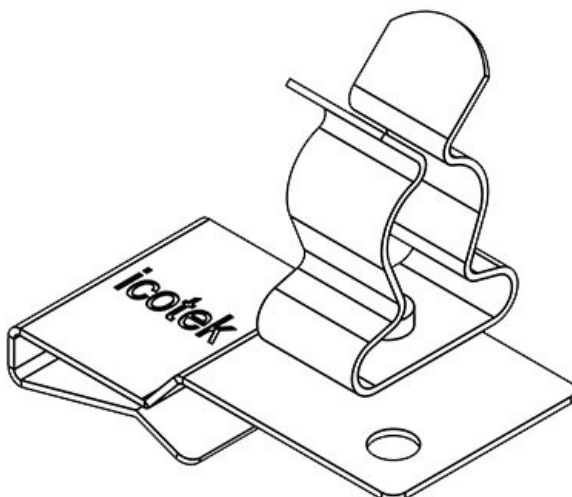
Part No.	<b>36788.33</b>	Min. shield diam. pos. 2	<b>6 mm</b>
EAN	<b>4251269304</b>	Max. shield diam. pos. 2	<b>8 mm</b>
Package quantity	<b>10</b>	Length	<b>32,5 mm</b>
No. of shield clamps	<b>2</b>	Width	<b>20 mm</b>
For max. no. of cables		Height	<b>22,5 mm</b>
Min. shield diam. pos. 1	<b>6 mm</b>	Mounting height	<b>15 mm</b>
Max. shield diam. pos. 1	<b>8 mm</b>		

PFS2|SKL 34



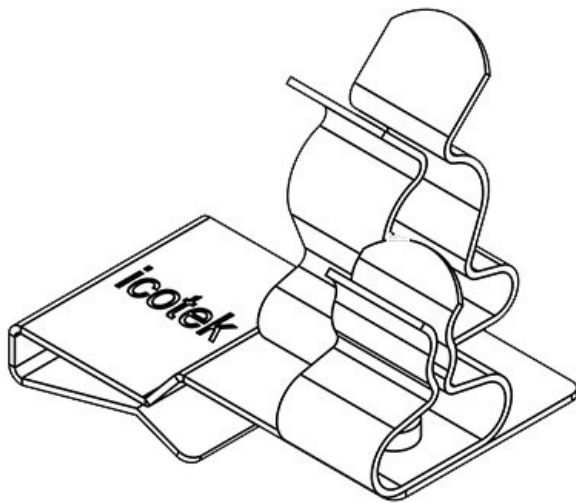
Part No.	<b>36788.34</b>	Min. shield diam. pos. 2	<b>8 mm</b>
EAN	<b>4251269304</b>	Max. shield diam. pos. 2	<b>11 mm</b>
Package quantity	<b>10</b>	Length	<b>32,5 mm</b>
No. of shield clamps	<b>2</b>	Width	<b>20 mm</b>
For max. no. of cables	<b>2</b>	Height	<b>27,5 mm</b>
Min. shield diam. pos. 1	<b>6 mm</b>	Mounting height	<b>20 mm</b>
Max. shield diam. pos. 1	<b>8 mm</b>		

PFS2|SKL 40



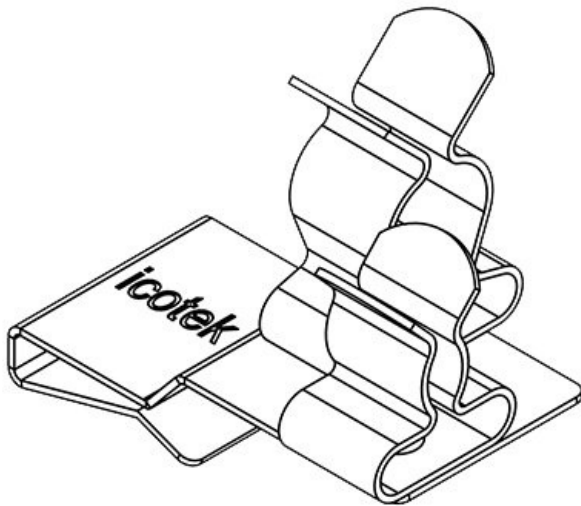
Part No.	<b>36788.40</b>	Length	<b>32,5 mm</b>
EAN	<b>4251269304</b>	Width	<b>18 mm</b>
Package quantity	<b>10</b>	Height	<b>27,5 mm</b>
No. of shield clamps	<b>1</b>	Mounting height	<b>20 mm</b>
For max. no. of cables	<b>1</b>		
Min. shield diam. pos. 1	<b>8 mm</b>		
Max. shield diam. pos. 1	<b>11 mm</b>		

PFS2|SKL 41



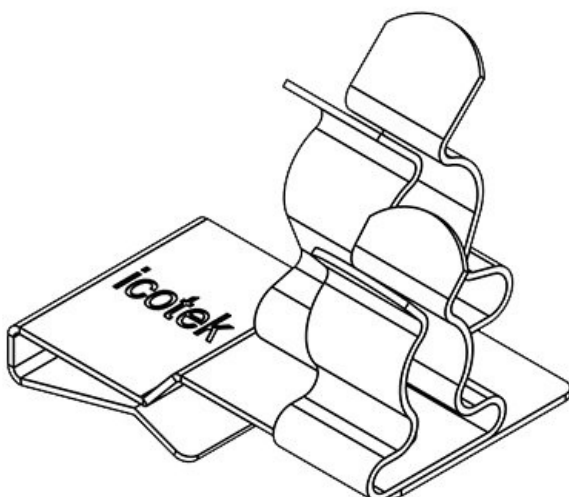
Part No.	<b>36788.41</b>	Min. shield diam. pos. 2	<b>1,5 mm</b>
EAN	<b>4251269304606</b>	Max. shield diam. pos. 2	<b>3 mm</b>
Package quantity	<b>10</b>	Length	<b>32,5 mm</b>
No. of shield clamps	<b>2</b>	Width	<b>20 mm</b>
For max. no. of cables		Height	<b>27,5 mm</b>
Min. shield diam. pos. 1	<b>8 mm</b>	Mounting height	<b>20 mm</b>
Max. shield diam. pos. 1	<b>11 mm</b>		

PFS2|SKL 42

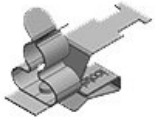


Part No.	<b>36788.42</b>	Min. shield diam. pos. 2	<b>3 mm</b>
EAN	<b>4251269304613</b>	Max. shield diam. pos. 2	<b>6 mm</b>
Package quantity	<b>10</b>	Length	<b>32,5 mm</b>
No. of shield clamps	<b>2</b>	Width	<b>20 mm</b>
For max. no. of cables		Height	<b>27,5 mm</b>
Min. shield diam. pos. 1	<b>8 mm</b>	Mounting height	<b>20 mm</b>
Max. shield diam. pos. 1	<b>11 mm</b>		

PFS2|SKL 43



Part No.	<b>36788.43</b>	Min. shield diam. pos. 2	<b>6 mm</b>
EAN	<b>4251269304620</b>	Max. shield diam. pos. 2	<b>8 mm</b>
Package quantity	<b>10</b>	Length	<b>32,5 mm</b>
No. of shield clamps	<b>2</b>	Width	<b>20 mm</b>
For max. no. of cables		Height	<b>27,5 mm</b>
Min. shield diam. pos. 1	<b>8 mm</b>	Mounting height	<b>20 mm</b>
Max. shield diam. pos. 1	<b>11 mm</b>		

**PFSZ-M|MSKL 3-12**

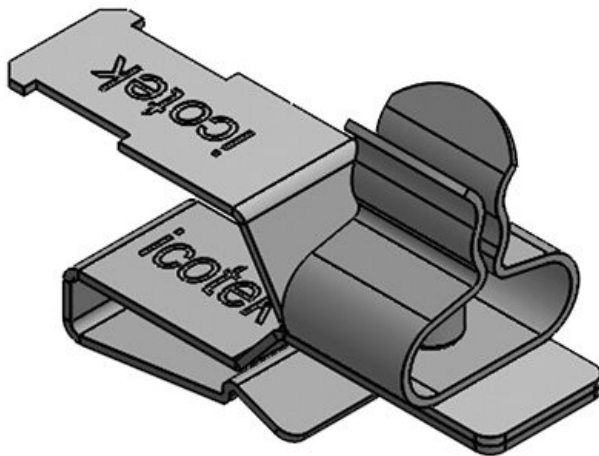
Part No. **37630**  
 EAN **4251269316722**  
 Package quantity **10**  
 Length **38 mm**  
 Strain relief (acc. to EN 62444) **1**  
 No. of shield clamps **1**  
 For max. no. of cables **1**

Min. shield diam. **3 mm**  
 Max. shield diam. **12 mm**  
 Width **15 mm**  
 Height **28,7 mm**  
 Mounting height **25 mm**

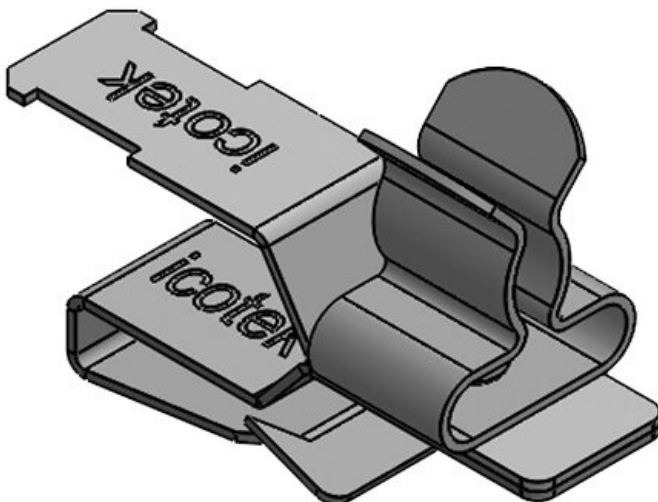
**PFSZ-M|MSKL 8-18**

Part No. **37632**  
 EAN **4251269316739**  
 Package quantity **10**  
 Length **38 mm**  
 Strain relief (acc. to EN 62444) **1**  
 No. of shield clamps **1**  
 For max. no. of cables **1**

Min. shield diam. **8 mm**  
 Max. shield diam. **18 mm**  
 Width **20 mm**  
 Height **34,9 mm**  
 Mounting height **31,2 mm**

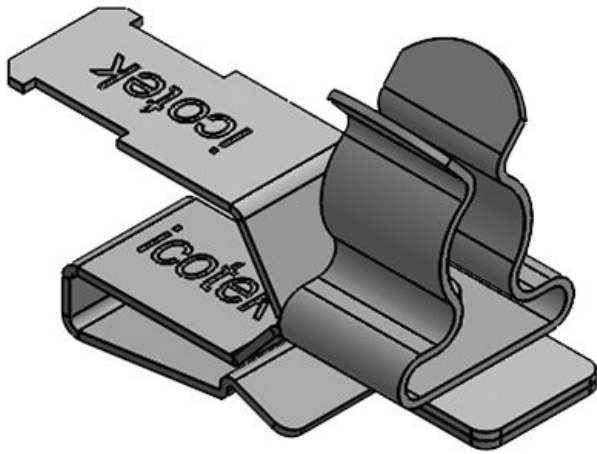
**PFSZ|SKL 1.5-3**

Part No. **36787.1** Max. shield **3 mm**  
 EAN **4251269304** diam.  
**361** Length **33 mm**  
 Package **10** Width **12 mm**  
 quantity Height **21 mm**  
 No. of shield **1** Mounting **13,5 mm**  
 clamps height  
 Strain relief **1**  
 (acc. to EN  
 62444)  
 For max. no. of **1**  
 cables  
 Min. shield **1,5 mm**  
 diam.

**PFSZ|SKL 3-6**

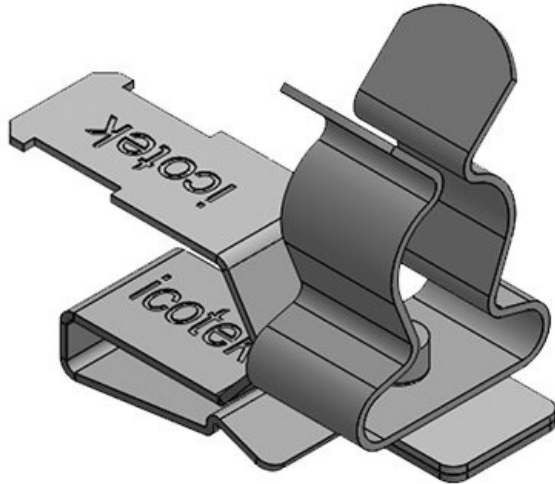
Part No. **36787.2** Max. shield **6 mm**  
 EAN **4251269304** diam.  
**378** Length **33 mm**  
 Package **10** Width **12 mm**  
 quantity Height **22 mm**  
 No. of shield **1** Mounting **14,5 mm**  
 clamps height  
 Strain relief **1**  
 (acc. to EN  
 62444)  
 For max. no. of **1**  
 cables  
 Min. shield **3 mm**  
 diam.

PFSZ|SKL 6-8



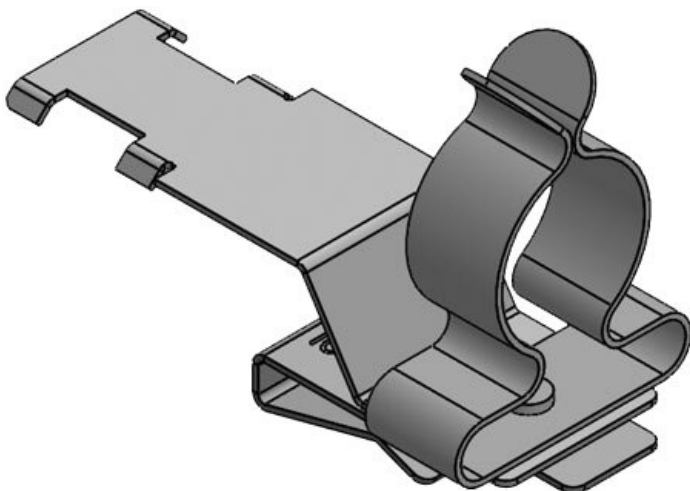
Part No.	<b>36787.3</b>	Max. shield diam.	<b>8 mm</b>
EAN	<b>4251269304</b>	Length	<b>33 mm</b>
Package quantity	<b>10</b>	Width	<b>12 mm</b>
No. of shield clamps	<b>1</b>	Height	<b>23 mm</b>
Strain relief (acc. to EN 62444)	<b>1</b>	Mounting height	<b>15,5 mm</b>
For max. no. of cables	<b>1</b>		
Min. shield diam.	<b>6 mm</b>		

PFSZ|SKL 8-11

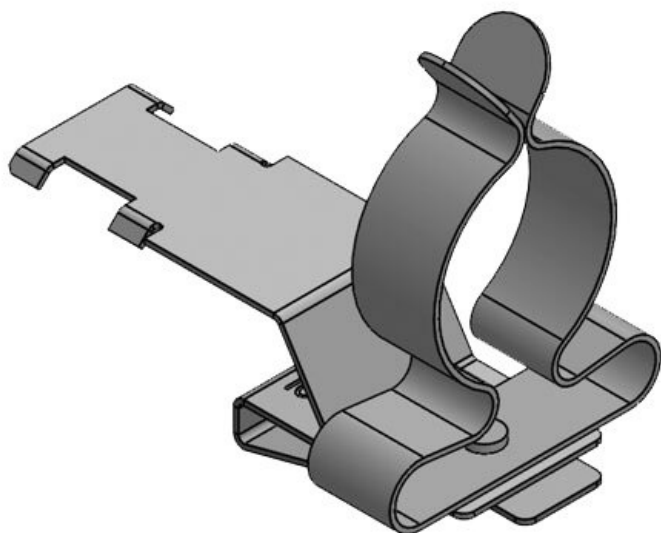


Part No.	<b>36787.4</b>	Max. shield diam.	<b>11 mm</b>
EAN	<b>4251269304</b>	Length	<b>33 mm</b>
Package quantity	<b>10</b>	Width	<b>12 mm</b>
No. of shield clamps	<b>1</b>	Height	<b>28 mm</b>
Strain relief (acc. to EN 62444)	<b>1</b>	Mounting height	<b>20,5 mm</b>
For max. no. of cables	<b>1</b>		
Min. shield diam.	<b>8 mm</b>		

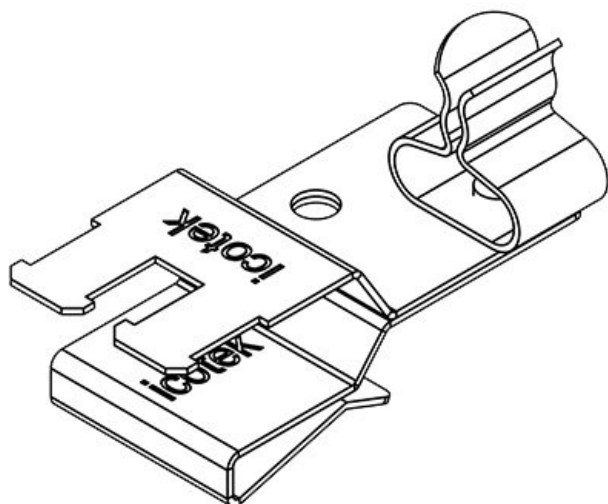
PFSZ|SKL 11-17



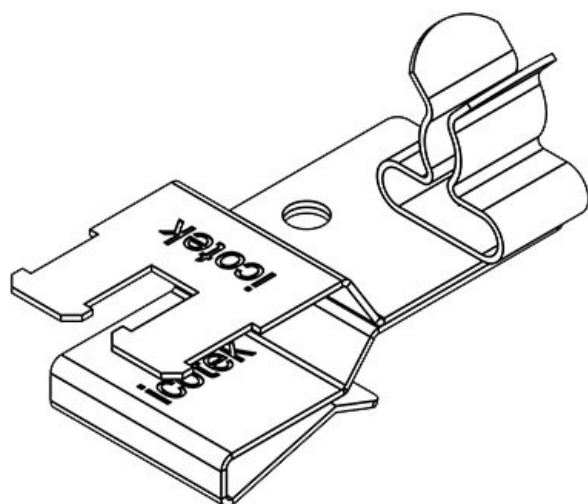
Part No.	<b>36787.5</b>	Max. shield diam.	<b>17 mm</b>
EAN	<b>4251269321</b>	Length	<b>41 mm</b>
Package quantity	<b>10</b>	Width	<b>21 mm</b>
No. of shield clamps	<b>1</b>	Height	<b>35 mm</b>
Strain relief (acc. to EN 62444)	<b>1</b>	Mounting height	<b>27,5 mm</b>
For max. no. of cables	<b>1</b>		
Min. shield diam.	<b>11 mm</b>		



Part No.	<b>36787.6</b>	Max. shield diam.	<b>22 mm</b>
EAN	<b>4251269321</b>	Length	<b>48 mm</b>
Package quantity	<b>10</b>	Width	<b>26,5 mm</b>
No. of shield clamps	<b>1</b>	Height	<b>42,5 mm</b>
Strain relief (acc. to EN 62444)	<b>1</b>	Mounting height	<b>35 mm</b>
For max. no. of cables	<b>1</b>		
Min. shield diam.	<b>17 mm</b>		

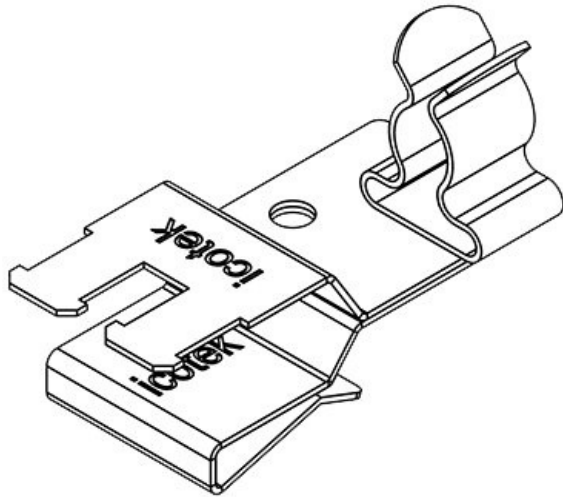


Part No.	<b>36789.01</b>	Min. shield diam. pos. 2	<b>1,5 mm</b>
EAN	<b>4251269304</b>	Max. shield diam. pos. 2	<b>3 mm</b>
Package quantity	<b>10</b>	Width	<b>18 mm</b>
Length	<b>37 mm</b>	Height	<b>21 mm</b>
Strain relief (acc. to EN 62444)	<b>1</b>	Mounting height	<b>13,5 mm</b>
No. of shield clamps	<b>1</b>		
For max. no. of cables	<b>1</b>		



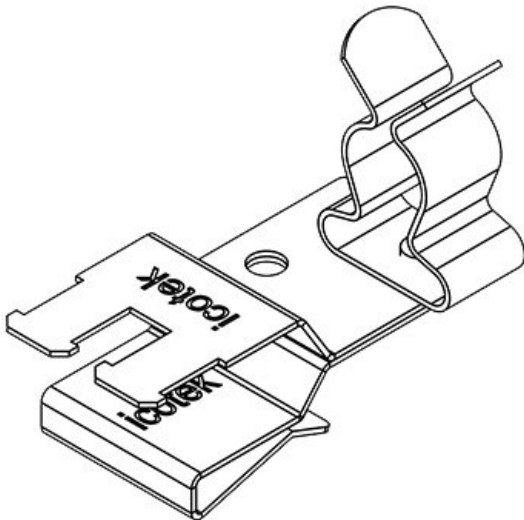
Part No.	<b>36789.02</b>	Min. shield diam. pos. 2	<b>3 mm</b>
EAN	<b>4251269304</b>	Max. shield diam. pos. 2	<b>6 mm</b>
Package quantity	<b>10</b>	Width	<b>18 mm</b>
Length	<b>37 mm</b>	Height	<b>21,6 mm</b>
Strain relief (acc. to EN 62444)	<b>1</b>	Mounting height	<b>14,1 mm</b>
No. of shield clamps	<b>1</b>		
For max. no. of cables	<b>1</b>		

PFSZ2|SKL 03



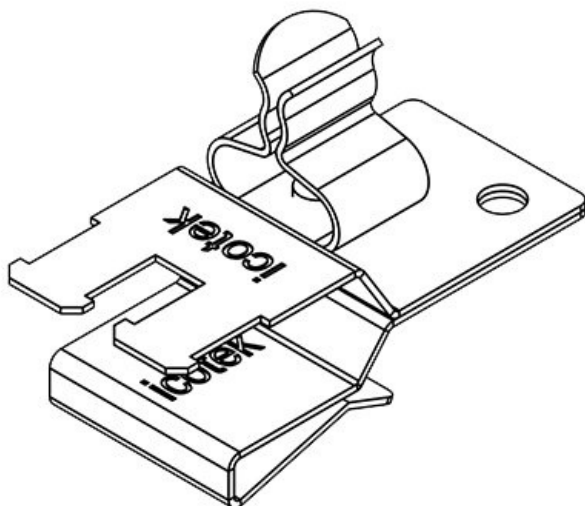
Part No.	<b>36789.03</b>	Min. shield	<b>6 mm</b>
EAN	<b>4251269304</b>	diam. pos. 2	
	<b>651</b>	Max. shield	<b>8 mm</b>
Package	<b>10</b>	diam. pos. 2	
quantity		Width	<b>18 mm</b>
Length	<b>37 mm</b>	Height	<b>23 mm</b>
Strain relief	<b>1</b>	Mounting	<b>15,5 mm</b>
(acc. to EN		height	
62444)			
No. of shield	<b>1</b>		
clamps			
For max. no. of	<b>1</b>		
cables			

PFSZ2|SKL 04



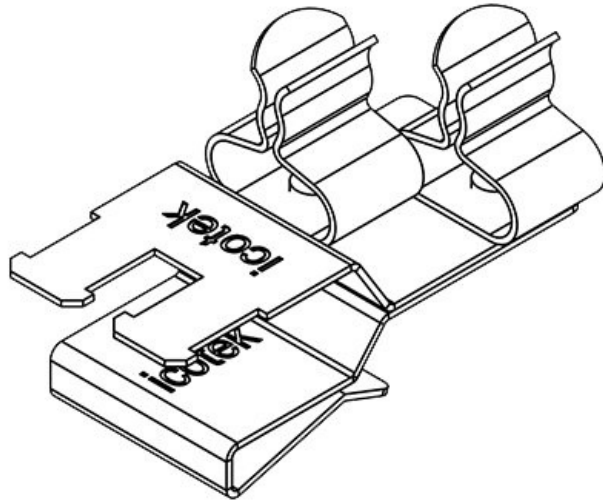
Part No.	<b>36789.04</b>	Min. shield	<b>8 mm</b>
EAN	<b>4251269304</b>	diam. pos. 2	
	<b>668</b>	Max. shield	<b>11 mm</b>
Package	<b>10</b>	diam. pos. 2	
quantity		Width	<b>18 mm</b>
Length	<b>37 mm</b>	Height	<b>28 mm</b>
Strain relief	<b>1</b>	Mounting	<b>21,7 mm</b>
(acc. to EN		height	
62444)			
No. of shield	<b>1</b>		
clamps			
For max. no. of	<b>1</b>		
cables			

PFSZ2|SKL 10



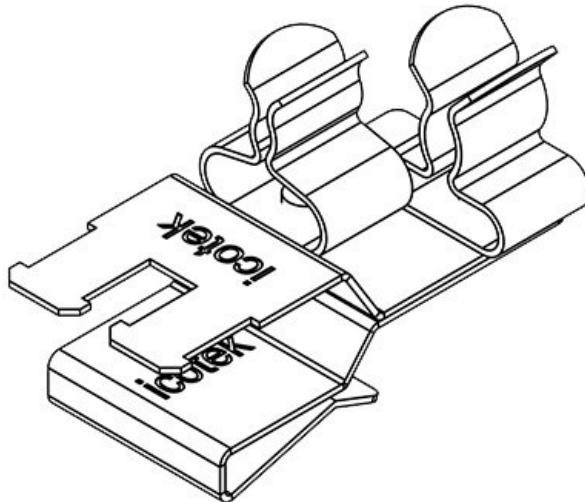
Part No.	<b>36789.10</b>	Min. shield	<b>1,5 mm</b>
EAN	<b>4251269304</b>	diam. pos. 1	
	<b>675</b>	Max. shield	<b>3 mm</b>
Package	<b>10</b>	diam. pos. 1	
quantity		Width	<b>18 mm</b>
Length	<b>37 mm</b>	Height	<b>21 mm</b>
Strain relief	<b>1</b>	Mounting	<b>13,5 mm</b>
(acc. to EN		height	
62444)			
No. of shield	<b>1</b>		
clamps			
For max. no. of	<b>1</b>		
cables			

## PFSZ2|SKL 11



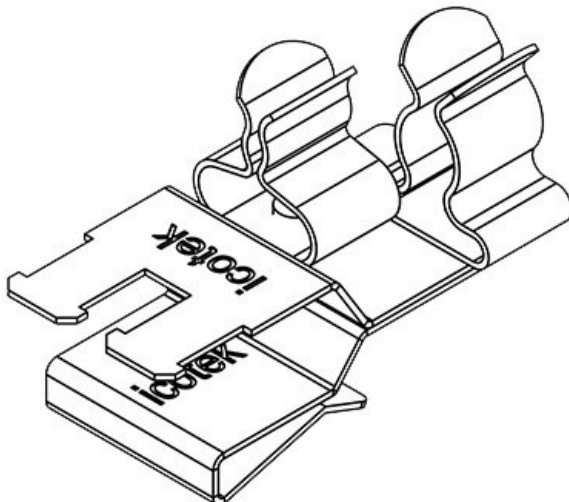
Part No.	<b>36789.11</b>	Min. shield	<b>1,5 mm</b>
EAN	<b>4251269304</b>	diam. pos. 1	
	<b>682</b>	Max. shield	<b>3 mm</b>
Package	<b>10</b>	diam. pos. 1	
quantity		Min. shield	<b>1,5 mm</b>
Length	<b>37 mm</b>	diam. pos. 2	
Strain relief	<b>1</b>	Max. shield	<b>3 mm</b>
(acc. to EN		diam. pos. 2	
62444)		Width	<b>20 mm</b>
No. of shield	<b>2</b>	Height	<b>21 mm</b>
clamps		Mounting	<b>13,5 mm</b>
For max. no. of		height	
cables			

## PFSZ2|SKL 12



Part No.	<b>36789.12</b>	Min. shield	<b>1,5 mm</b>
EAN	<b>4251269304</b>	diam. pos. 1	
	<b>699</b>	Max. shield	<b>3 mm</b>
Package	<b>10</b>	diam. pos. 1	
quantity		Min. shield	<b>3 mm</b>
Length	<b>37 mm</b>	diam. pos. 2	
Strain relief	<b>1</b>	Max. shield	<b>6 mm</b>
(acc. to EN		diam. pos. 2	
62444)		Width	<b>20 mm</b>
No. of shield	<b>2</b>	Height	<b>21,6 mm</b>
clamps		Mounting	<b>14,1 mm</b>
For max. no. of		height	
cables			

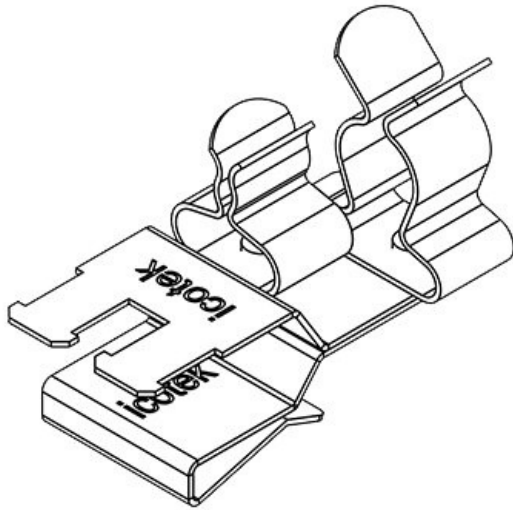
## PFSZ2|SKL 13



Part No.	<b>36789.13</b>	Min. shield	<b>1,5 mm</b>
EAN	<b>4251269304</b>	diam. pos. 1	
	<b>705</b>	Max. shield	<b>3 mm</b>
Package	<b>10</b>	diam. pos. 1	
quantity		Min. shield	<b>6 mm</b>
Length	<b>37 mm</b>	diam. pos. 2	
Strain relief	<b>1</b>	Max. shield	<b>8 mm</b>
(acc. to EN		diam. pos. 2	
62444)		Width	<b>20 mm</b>
No. of shield	<b>2</b>	Height	<b>23 mm</b>
clamps		Mounting	<b>15,5 mm</b>
For max. no. of		height	
cables			

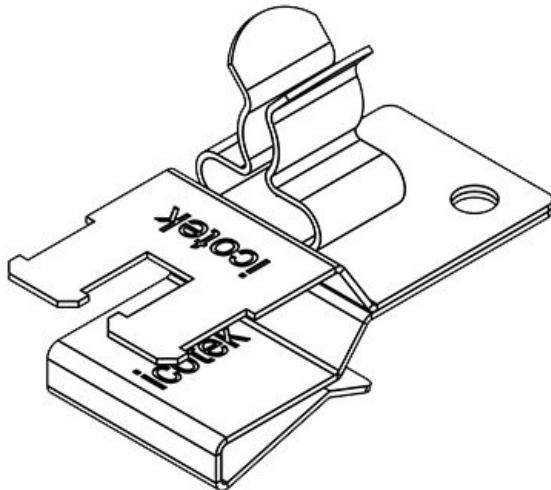


## PFSZ2|SKL 14



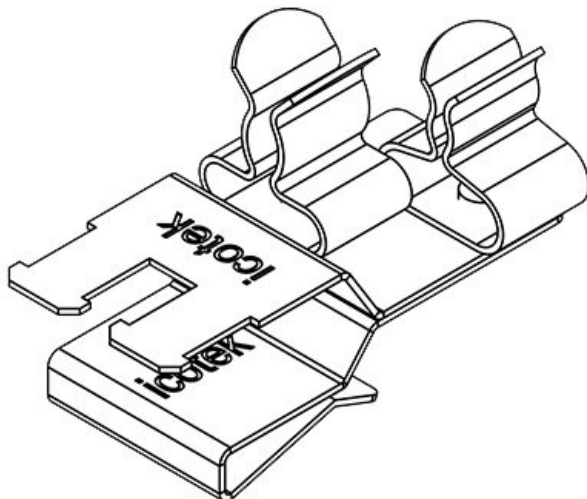
Part No.	<b>36789.14</b>	Min. shield diam. pos. 1	<b>1,5 mm</b>
EAN	<b>4251269304712</b>	Max. shield diam. pos. 1	<b>3 mm</b>
Package quantity	<b>10</b>	Min. shield diam. pos. 2	<b>8 mm</b>
Length	<b>37 mm</b>	Max. shield diam. pos. 2	<b>11 mm</b>
Strain relief (acc. to EN 62444)	<b>1</b>	Width	<b>20 mm</b>
No. of shield clamps	<b>2</b>	Height	<b>28 mm</b>
For max. no. of cables	<b>2</b>	Mounting height	<b>20,5 mm</b>

## PFSZ2|SKL 20



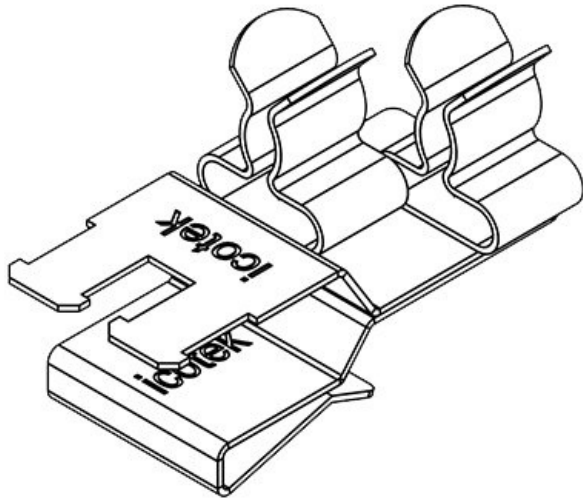
Part No.	<b>36789.20</b>	Min. shield diam. pos. 1	<b>3 mm</b>
EAN	<b>4251269304729</b>	Max. shield diam. pos. 1	<b>6 mm</b>
Package quantity	<b>10</b>	Width	<b>18 mm</b>
Length	<b>37 mm</b>	Height	<b>21,6 mm</b>
Strain relief (acc. to EN 62444)	<b>1</b>	Mounting height	<b>14,1 mm</b>
No. of shield clamps	<b>1</b>		
For max. no. of cables	<b>1</b>		

## PFSZ2|SKL 21



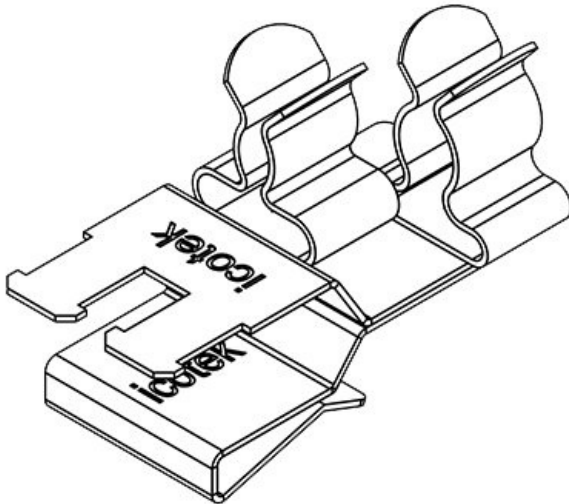
Part No.	<b>36789.21</b>	Min. shield diam. pos. 1	<b>3 mm</b>
EAN	<b>4251269304736</b>	Max. shield diam. pos. 1	<b>6 mm</b>
Package quantity	<b>10</b>	Min. shield diam. pos. 2	<b>1,5 mm</b>
Length	<b>37 mm</b>	Max. shield diam. pos. 2	<b>3 mm</b>
Strain relief (acc. to EN 62444)	<b>1</b>	Width	<b>20 mm</b>
No. of shield clamps	<b>2</b>	Height	<b>21,6 mm</b>
For max. no. of cables	<b>2</b>	Mounting height	<b>14,1 mm</b>

## PFSZ2|SKL 22



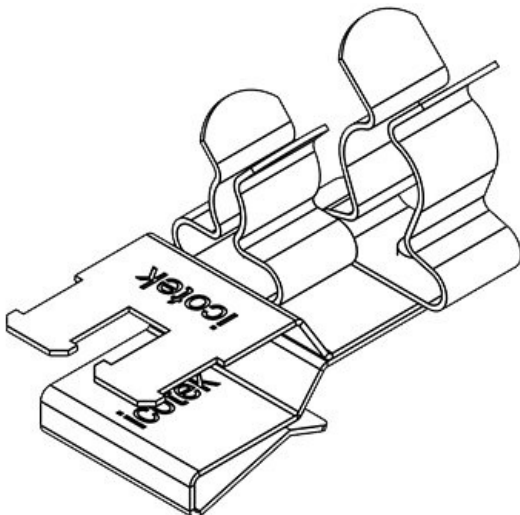
Part No.	<b>36789.22</b>	Min. shield	<b>3 mm</b>
EAN	<b>4251269304</b>	diam. pos. 1	
	<b>743</b>	Max. shield	<b>6 mm</b>
Package quantity	<b>10</b>	diam. pos. 1	
Length	<b>37 mm</b>	Min. shield	<b>3 mm</b>
Strain relief (acc. to EN 62444)	<b>1</b>	diam. pos. 2	
No. of shield clamps	<b>2</b>	Max. shield	<b>6 mm</b>
For max. no. of cables		diam. pos. 2	
		Width	<b>20 mm</b>
		Height	<b>21,6 mm</b>
		Mounting height	<b>14,1 mm</b>

## PFSZ2|SKL 23



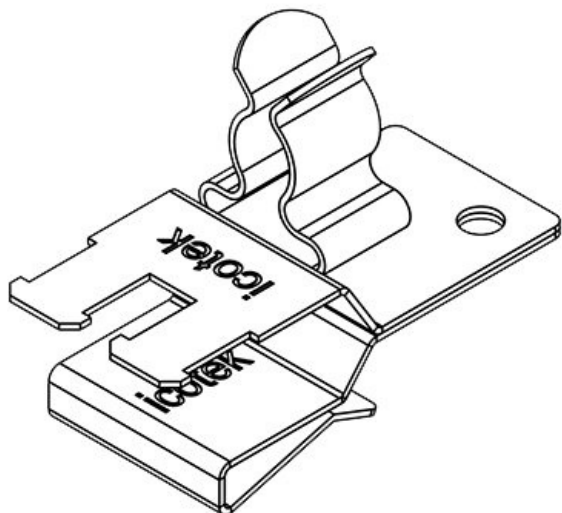
Part No.	<b>36789.23</b>	Min. shield	<b>3 mm</b>
EAN	<b>4251269304</b>	diam. pos. 1	
	<b>750</b>	Max. shield	<b>6 mm</b>
Package quantity	<b>10</b>	diam. pos. 1	
Length	<b>37 mm</b>	Min. shield	<b>6 mm</b>
Strain relief (acc. to EN 62444)	<b>1</b>	diam. pos. 2	
No. of shield clamps	<b>2</b>	Max. shield	<b>8 mm</b>
For max. no. of cables		diam. pos. 2	
		Width	<b>20 mm</b>
		Height	<b>23 mm</b>
		Mounting height	<b>15,5 mm</b>

## PFSZ2|SKL 24



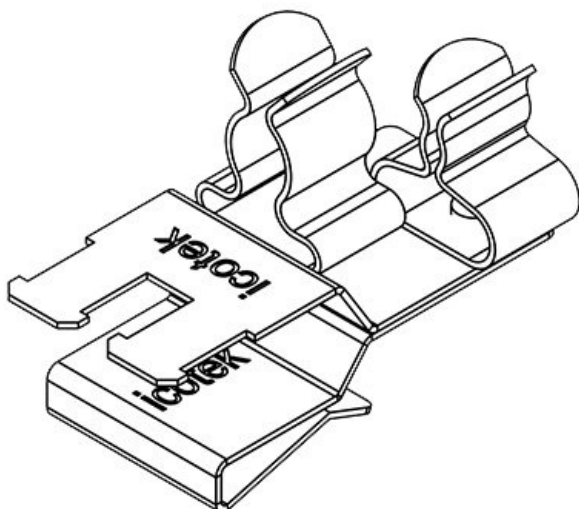
Part No.	<b>36789.24</b>	Min. shield	<b>3 mm</b>
EAN	<b>4251269304</b>	diam. pos. 1	
	<b>767</b>	Max. shield	<b>6 mm</b>
Package quantity	<b>10</b>	diam. pos. 1	
Length	<b>37 mm</b>	Min. shield	<b>8 mm</b>
Strain relief (acc. to EN 62444)	<b>1</b>	diam. pos. 2	
No. of shield clamps	<b>2</b>	Max. shield	<b>11 mm</b>
For max. no. of cables		diam. pos. 2	
		Width	<b>20 mm</b>
		Height	<b>28 mm</b>
		Mounting height	<b>20,5 mm</b>

## PFSZ2|SKL 30



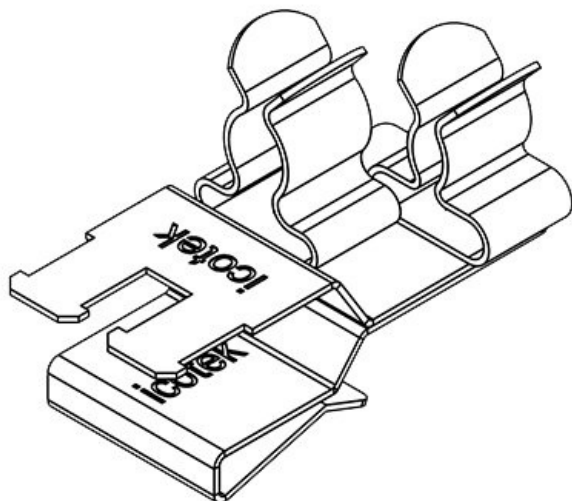
Part No.	<b>36789.30</b>	Min. shield	<b>6 mm</b>
EAN	<b>4251269304</b>	diam. pos. 1	
	<b>774</b>	Max. shield	<b>8 mm</b>
Package	<b>10</b>	diam. pos. 1	
quantity		Width	<b>18 mm</b>
Length	<b>37 mm</b>	Height	<b>23 mm</b>
Strain relief	<b>1</b>	Mounting	<b>15,5 mm</b>
(acc. to EN		height	
62444)			
No. of shield	<b>1</b>		
clamps			
For max. no. of	<b>1</b>		
cables			

## PFSZ2|SKL 31



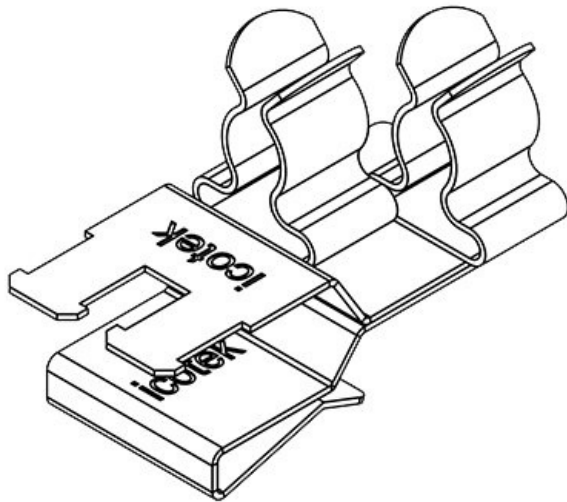
Part No.	<b>36789.31</b>	Min. shield	<b>6 mm</b>
EAN	<b>4251269304</b>	diam. pos. 1	
	<b>781</b>	Max. shield	<b>8 mm</b>
Package	<b>10</b>	diam. pos. 1	
quantity		Min. shield	<b>1,5 mm</b>
Length	<b>37 mm</b>	diam. pos. 2	
Strain relief	<b>1</b>	Max. shield	<b>3 mm</b>
(acc. to EN		diam. pos. 2	
62444)		Width	<b>20 mm</b>
No. of shield	<b>2</b>	Height	<b>23 mm</b>
clamps		Mounting	<b>15,5 mm</b>
For max. no. of	<b>2</b>	height	
cables			

## PFSZ2|SKL 32



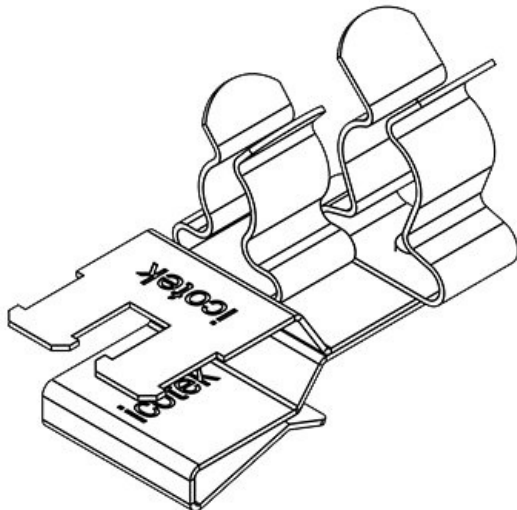
Part No.	<b>36789.32</b>	Min. shield	<b>6 mm</b>
EAN	<b>4251269304</b>	diam. pos. 1	
	<b>798</b>	Max. shield	<b>8 mm</b>
Package	<b>10</b>	diam. pos. 1	
quantity		Min. shield	<b>3 mm</b>
Length	<b>37 mm</b>	diam. pos. 2	
Strain relief	<b>1</b>	Max. shield	<b>6 mm</b>
(acc. to EN		diam. pos. 2	
62444)		Width	<b>20 mm</b>
No. of shield	<b>2</b>	Height	<b>23 mm</b>
clamps		Mounting	<b>15,5 mm</b>
For max. no. of	<b>2</b>	height	
cables			

PFSZ2|SKL 33



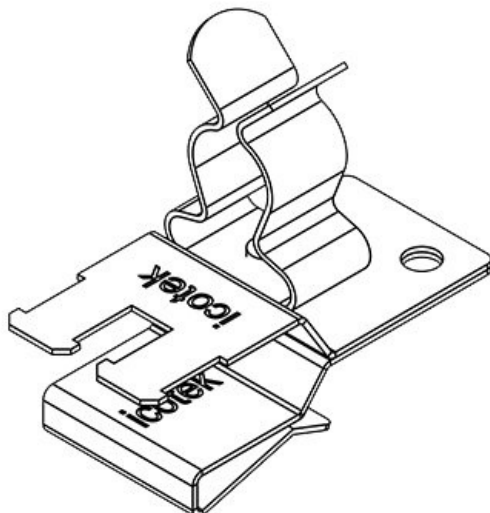
Part No.	<b>36789.33</b>	Min. shield diam. pos. 1	<b>6 mm</b>
EAN	<b>4251269304804</b>	Max. shield diam. pos. 1	<b>8 mm</b>
Package quantity	<b>10</b>	Min. shield diam. pos. 2	<b>6 mm</b>
Length	<b>37 mm</b>	Max. shield diam. pos. 2	<b>8 mm</b>
Strain relief (acc. to EN 62444)	<b>1</b>	Width	<b>20 mm</b>
No. of shield clamps	<b>2</b>	Height	<b>23 mm</b>
For max. no. of cables	<b>2</b>	Mounting height	<b>15,5 mm</b>

PFSZ2|SKL 34



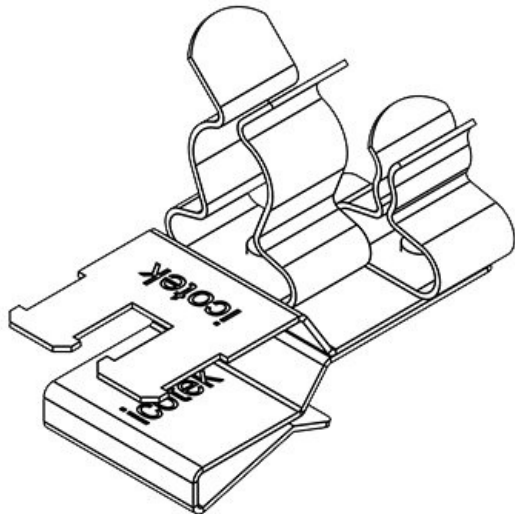
Part No.	<b>36789.34</b>	Min. shield diam. pos. 1	<b>6 mm</b>
EAN	<b>4251269304811</b>	Max. shield diam. pos. 1	<b>8 mm</b>
Package quantity	<b>10</b>	Min. shield diam. pos. 2	<b>8 mm</b>
Length	<b>37 mm</b>	Max. shield diam. pos. 2	<b>11 mm</b>
Strain relief (acc. to EN 62444)	<b>1</b>	Width	<b>20 mm</b>
No. of shield clamps	<b>2</b>	Height	<b>28 mm</b>
For max. no. of cables	<b>2</b>	Mounting height	<b>20,5 mm</b>

PFSZ2|SKL 40



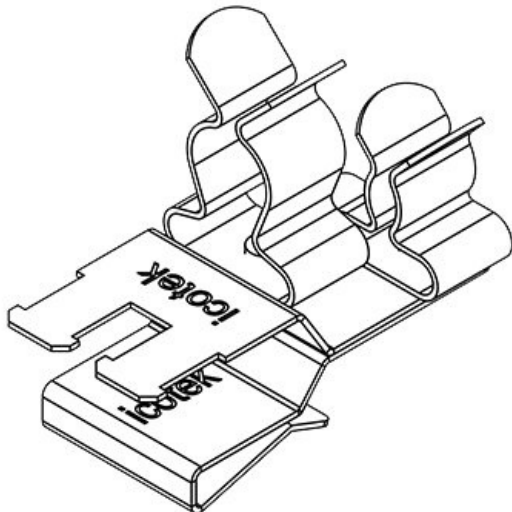
Part No.	<b>36789.40</b>	Min. shield diam. pos. 1	<b>8 mm</b>
EAN	<b>4251269304828</b>	Max. shield diam. pos. 1	<b>11 mm</b>
Package quantity	<b>10</b>	Width	<b>18 mm</b>
Length	<b>37 mm</b>	Height	<b>28 mm</b>
Strain relief (acc. to EN 62444)	<b>1</b>	Mounting height	<b>20,5 mm</b>
No. of shield clamps	<b>1</b>		
For max. no. of cables	<b>1</b>		

## PFSZ2|SKL 41



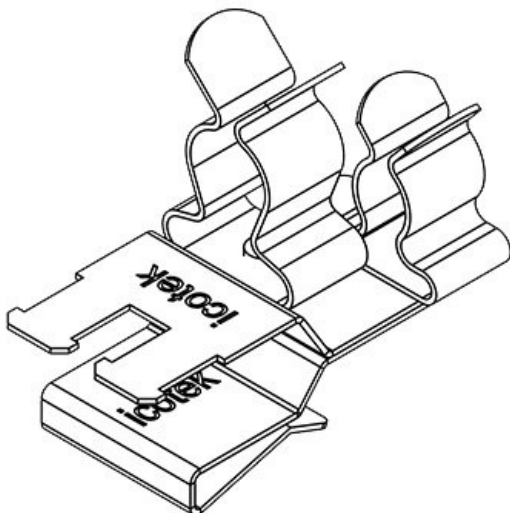
Part No.	<b>36789.41</b>	Min. shield diam. pos. 1	<b>8 mm</b>
EAN	<b>4251269304835</b>	Max. shield diam. pos. 1	<b>11 mm</b>
Package quantity	<b>10</b>	Min. shield diam. pos. 2	<b>1,5 mm</b>
Length	<b>37 mm</b>	Max. shield diam. pos. 2	<b>3 mm</b>
Strain relief (acc. to EN 62444)	<b>1</b>	Width	<b>20 mm</b>
No. of shield clamps	<b>2</b>	Height	<b>28 mm</b>
For max. no. of cables	<b>2</b>	Mounting height	<b>20,5 mm</b>

## PFSZ2|SKL 42



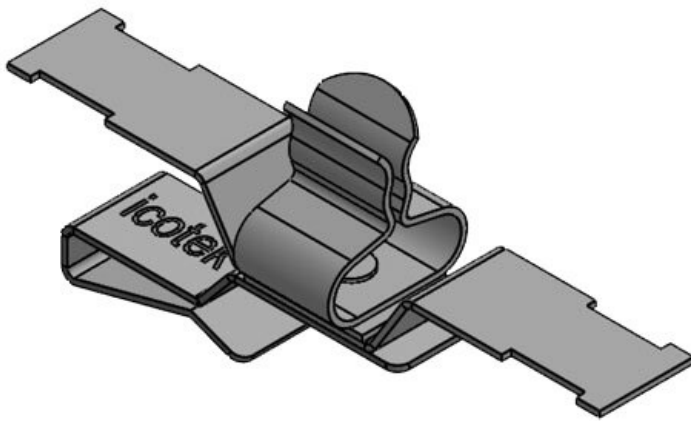
Part No.	<b>36789.42</b>	Min. shield diam. pos. 1	<b>8 mm</b>
EAN	<b>4251269304842</b>	Max. shield diam. pos. 1	<b>11 mm</b>
Package quantity	<b>10</b>	Min. shield diam. pos. 2	<b>3 mm</b>
Length	<b>37 mm</b>	Max. shield diam. pos. 2	<b>6 mm</b>
Strain relief (acc. to EN 62444)	<b>1</b>	Width	<b>20 mm</b>
No. of shield clamps	<b>2</b>	Height	<b>28 mm</b>
For max. no. of cables	<b>2</b>	Mounting height	<b>20,5 mm</b>

## PFSZ2|SKL 43



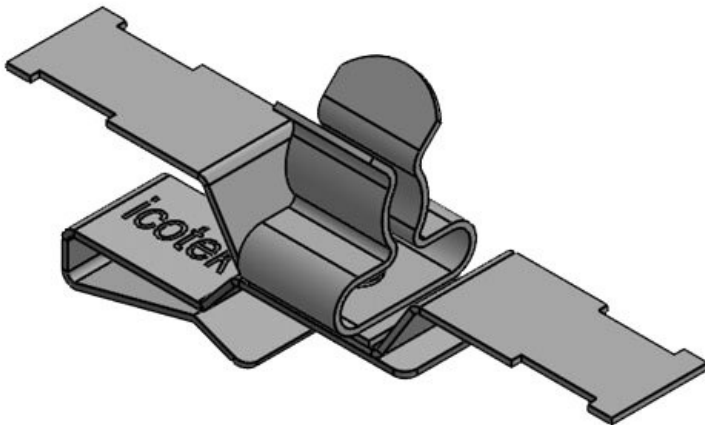
Part No.	<b>36789.43</b>	Min. shield diam. pos. 1	<b>8 mm</b>
EAN	<b>4251269304859</b>	Max. shield diam. pos. 1	<b>11 mm</b>
Package quantity	<b>10</b>	Min. shield diam. pos. 2	<b>6 mm</b>
Length	<b>37 mm</b>	Max. shield diam. pos. 2	<b>8 mm</b>
Strain relief (acc. to EN 62444)	<b>1</b>	Width	<b>20 mm</b>
No. of shield clamps	<b>2</b>	Height	<b>28 mm</b>
For max. no. of cables	<b>2</b>	Mounting height	<b>20,5 mm</b>

## PFS2Z|SKL 1.5-3



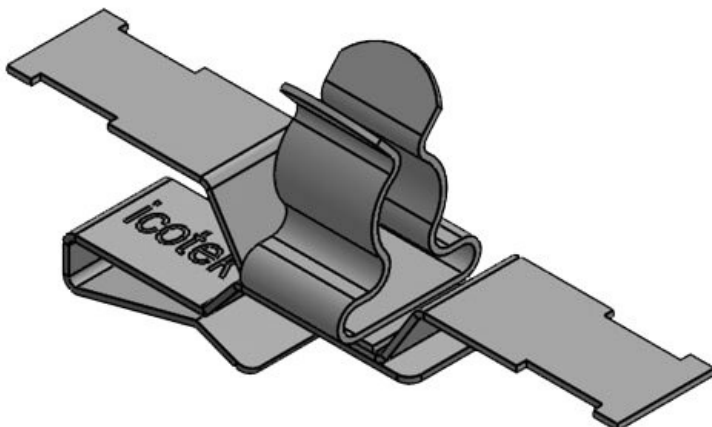
Part No.	<b>36787.151</b>	Max. shield diam.	<b>3 mm</b>
EAN	<b>4251269321</b>	Length	<b>50,2 mm</b>
	<b>252</b>	Width	<b>11,8 mm</b>
Package quantity	<b>10</b>	Height	<b>21,4 mm</b>
Strain relief (acc. to EN 62444)	<b>1</b>	Mounting height	<b>13,9 mm</b>
No. of shield clamps	<b>1</b>		
For max. no. of cables	<b>1</b>		
Min. shield diam.	<b>1,5 mm</b>		

## PFS2Z|SKL 3-6



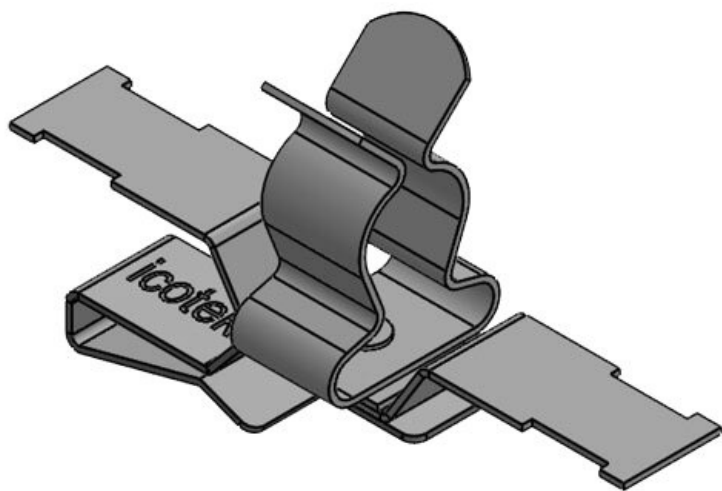
Part No.	<b>36787.152</b>	Max. shield diam.	<b>6 mm</b>
EAN	<b>4251269321</b>	Length	<b>50,2 mm</b>
	<b>269</b>	Width	<b>11,8 mm</b>
Package quantity	<b>10</b>	Height	<b>22 mm</b>
Strain relief (acc. to EN 62444)	<b>1</b>	Mounting height	<b>14,5 mm</b>
No. of shield clamps	<b>1</b>		
For max. no. of cables	<b>1</b>		
Min. shield diam.	<b>3 mm</b>		

## PFS2Z|SKL 6-8



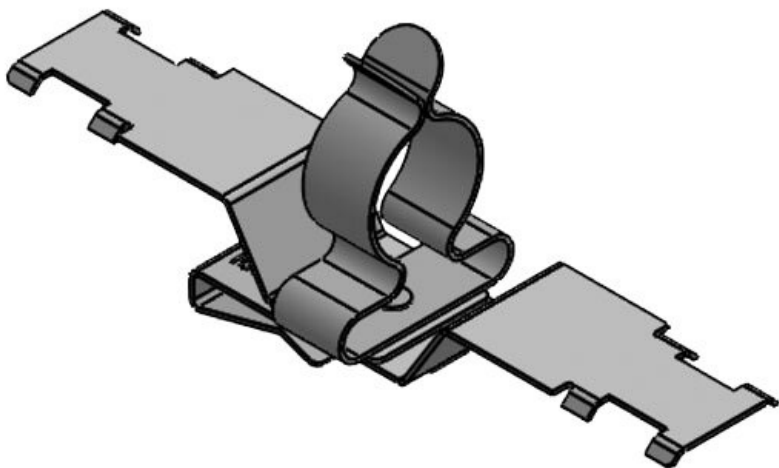
Part No.	<b>36787.153</b>	Max. shield diam.	<b>8 mm</b>
EAN	<b>4251269321</b>	Length	<b>50,2 mm</b>
	<b>276</b>	Width	<b>11,8 mm</b>
Package quantity	<b>10</b>	Height	<b>23,5 mm</b>
Strain relief (acc. to EN 62444)	<b>1</b>	Mounting height	<b>16 mm</b>
No. of shield clamps	<b>1</b>		
For max. no. of cables	<b>1</b>		
Min. shield diam.	<b>6 mm</b>		

PFS2Z|SKL 8-11



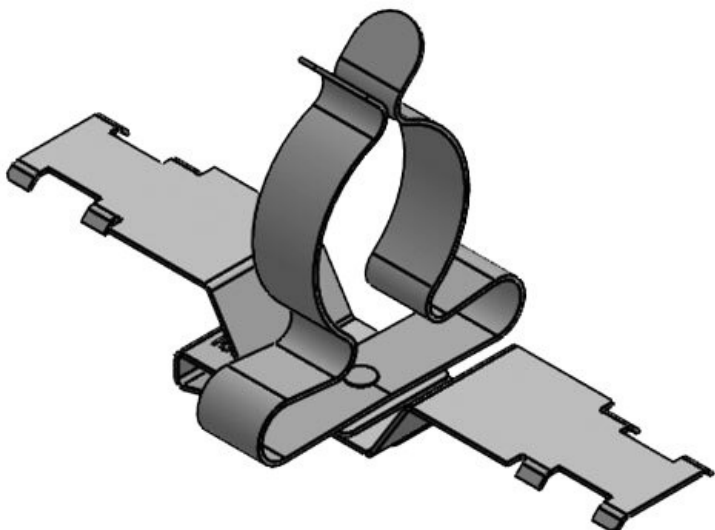
Part No.	<b>36787.154</b>	Max. shield diam.	<b>11 mm</b>
EAN	<b>4251269321</b>	Length	<b>50,2 mm</b>
	<b>283</b>	Width	<b>14 mm</b>
Package quantity	<b>10</b>	Height	<b>28,5 mm</b>
Strain relief (acc. to EN 62444)	<b>1</b>	Mounting height	<b>21 mm</b>
No. of shield clamps	<b>1</b>		
For max. no. of cables	<b>1</b>		
Min. shield diam.	<b>8 mm</b>		

PFS2Z|SKL 11-17



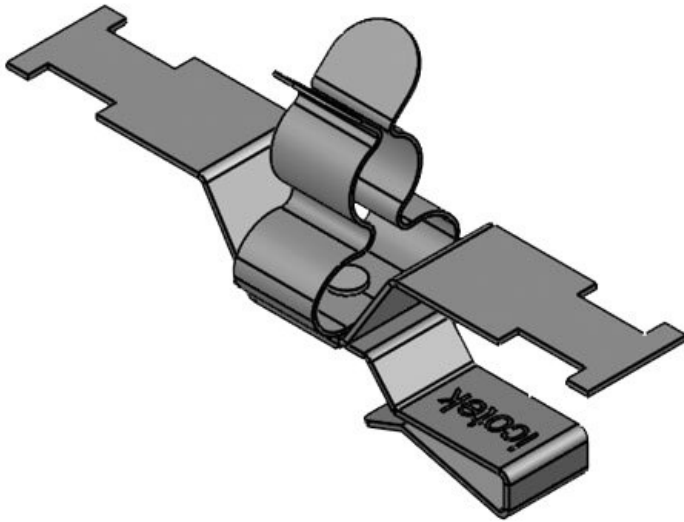
Part No.	<b>36787.155</b>	Max. shield diam.	<b>17 mm</b>
EAN	<b>4251269321</b>	Length	<b>80 mm</b>
	<b>290</b>	Width	<b>21 mm</b>
Package quantity	<b>10</b>	Height	<b>35,5 mm</b>
Strain relief (acc. to EN 62444)	<b>1</b>	Mounting height	<b>28 mm</b>
No. of shield clamps	<b>1</b>		
For max. no. of cables	<b>1</b>		
Min. shield diam.	<b>11 mm</b>		

PFS2Z|SKL 17-22



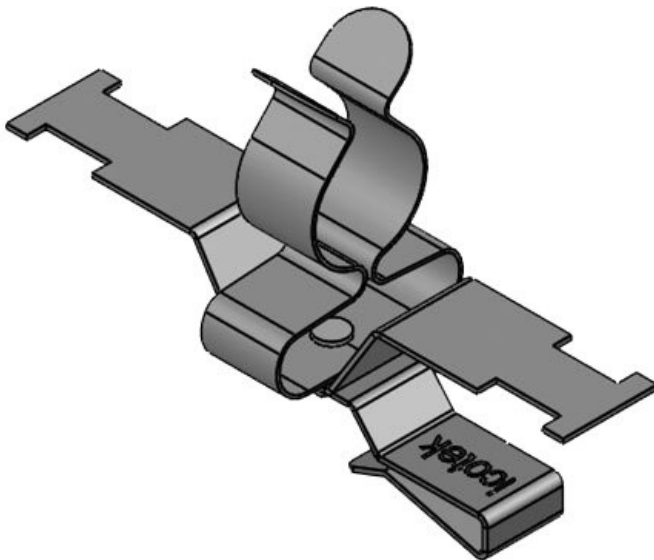
Part No.	<b>36787.156</b>	Max. shield diam.	<b>22 mm</b>
EAN	<b>4251269321</b>	Length	<b>80 mm</b>
	<b>306</b>	Width	<b>35 mm</b>
Package quantity	<b>10</b>	Height	<b>47,6 mm</b>
Strain relief (acc. to EN 62444)	<b>1</b>	Mounting height	<b>40,1 mm</b>
No. of shield clamps	<b>1</b>		
For max. no. of cables	<b>1</b>		
Min. shield diam.	<b>17 mm</b>		

PFS2Z-M|MSKL 3-12



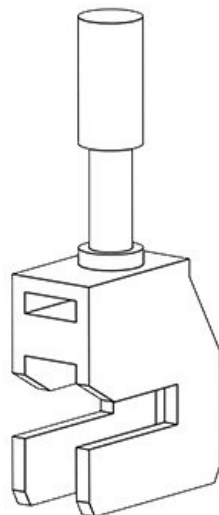
Part No.	<b>37630.150</b>	Min. shield	<b>3 mm</b>
EAN	<b>4251269321</b>	diam.	
	<b>238</b>	Max. shield	<b>12 mm</b>
Package	<b>10</b>	diam.	
quantity		Width	<b>15 mm</b>
Length	<b>59 mm</b>	Height	<b>29,1 mm</b>
Strain relief	<b>1</b>	Mounting	<b>21,5 mm</b>
(acc. to EN		height	
62444)			
No. of shield	<b>1</b>		
clamps			
For max. no. of	<b>1</b>		
cables			

PFS2Z-M|MSKL 8-18



Part No.	<b>37632.150</b>	Min. shield	<b>8 mm</b>
EAN	<b>4251269321</b>	diam.	
	<b>245</b>	Max. shield	<b>18 mm</b>
Package	<b>10</b>	diam.	
quantity		Width	<b>20 mm</b>
Length	<b>59 mm</b>	Height	<b>35,3 mm</b>
Strain relief	<b>1</b>	Mounting	<b>27,7 mm</b>
(acc. to EN		height	
62444)			
No. of shield	<b>1</b>		
clamps			
For max. no. of	<b>1</b>		
cables			

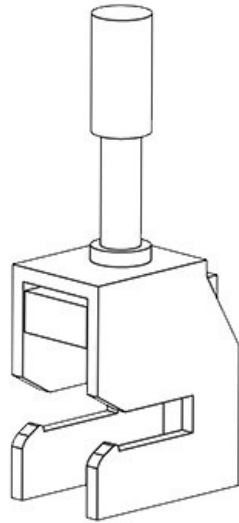
SKS 2-5



Part No.	<b>36282</b>	Width	<b>19,5 mm</b>
EAN	<b>4251269302</b>	Height	<b>45 mm</b>
	<b>480</b>		
Package	<b>10</b>		
quantity			
For max. no. of	<b>1</b>		
cables			
Min. shield	<b>2 mm</b>		
diam.			
Max. shield	<b>5 mm</b>		
diam.			
Length	<b>9 mm</b>		

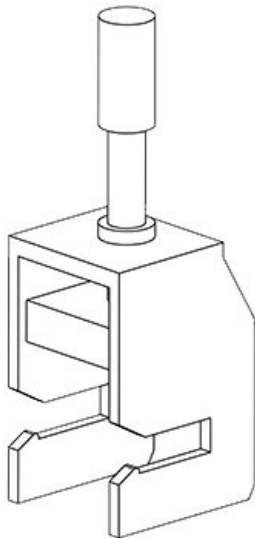


SKS 3-8



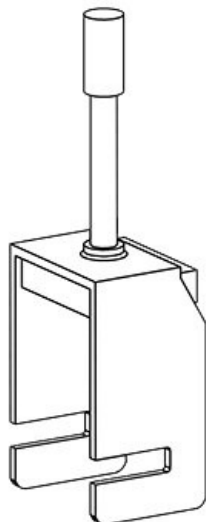
Part No.	<b>36283</b>	Width	<b>19,5 mm</b>
EAN	<b>4251269302</b>	Height	<b>49 mm</b>
	<b>497</b>		
Package quantity	<b>10</b>		
For max. no. of cables	<b>1</b>		
Min. shield diam.	<b>3 mm</b>		
Max. shield diam.	<b>8 mm</b>		
Length	<b>12 mm</b>		

SKS 3-14



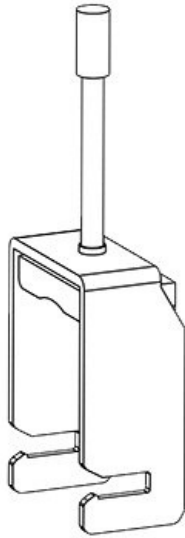
Part No.	<b>36284</b>	Width	<b>19,5 mm</b>
EAN	<b>4251269302</b>	Height	<b>58,5 mm</b>
	<b>503</b>		
Package quantity	<b>10</b>		
For max. no. of cables	<b>1</b>		
Min. shield diam.	<b>3 mm</b>		
Max. shield diam.	<b>14 mm</b>		
Length	<b>17 mm</b>		

SKS 3-20



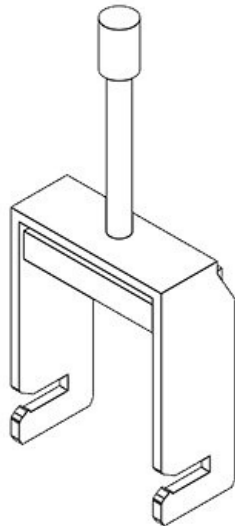
Part No.	<b>36285</b>	Width	<b>19,5 mm</b>
EAN	<b>4251269302</b>	Height	<b>71 mm</b>
	<b>510</b>		
Package quantity	<b>10</b>		
For max. no. of cables	<b>1</b>		
Min. shield diam.	<b>3 mm</b>		
Max. shield diam.	<b>20 mm</b>		
Length	<b>24 mm</b>		

SKS 5-28



Part No.	<b>36286</b>	Width	<b>20 mm</b>
EAN	<b>4251269302</b>	Height	<b>91 mm</b>
	<b>527</b>		
Package quantity	<b>10</b>		
For max. no. of cables	<b>1</b>		
Min. shield diam.	<b>5 mm</b>		
Max. shield diam.	<b>28 mm</b>		
Length	<b>31,6 mm</b>		

SKS 20-35



Part No.	<b>36287</b>	Width	<b>20 mm</b>
EAN	<b>4251269302</b>	Height	<b>105 mm</b>
	<b>534</b>		
Package quantity	<b>10</b>		
For max. no. of cables	<b>1</b>		
Min. shield diam.	<b>20 mm</b>		
Max. shield diam.	<b>35 mm</b>		
Length	<b>40,6 mm</b>		